

**SOFTSHADE
PRIME DUO**

SPEC14



**SOFTSHADE
PRIME DUO**

SOFTSHADE PRIME DUO SPECIFICATION

Essentials Collection

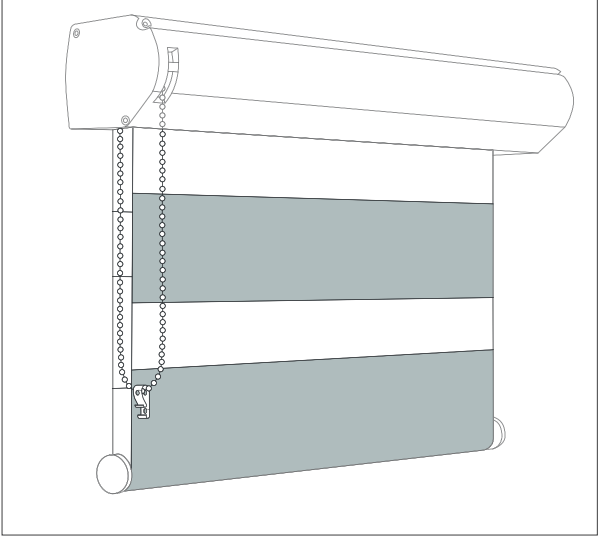
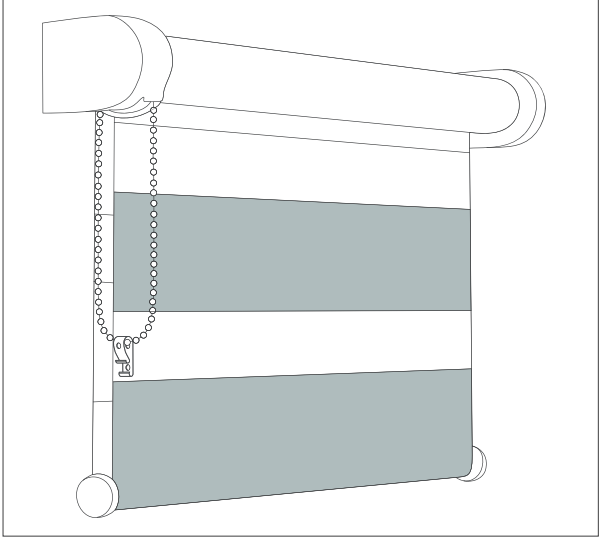
	STANDARD	OPTIONAL VARIATION	ADDITIONAL INFORMATION
System Type	Domus Open Cassette	Domus Closed Cassette	<ul style="list-style-type: none"> • Width: 300mm - 2400mm Drop: 500mm - 2500mm • Day/Night Blinds are produced within an operating tolerance of +/-3mm (width & drop) • No Installation screws included • For all chains, the chain length will be rounded down to the nearest continuous chain length of 300mm / 500mm / 800mm/1050mm / 1200mm /1500mm /1800mm. Default chain length will be 100mm shorter than the drop of the blind and this will be rounded down to the nearest continuous chain length as above, unless overridden by Child Safety restrictions
System Colour	White	n/a	
Bottom Bar Colour	White	n/a	
Operating Chain	White Plastic	Nickel	
Raise Control	Right hand side	Left hand side	
Bracket	Top Fix	Face Fix	
Child Safety	Tie down safety clip	n/a	
Minimum Control Length	300mm	n/a	
Deduction from floor for control length (when install height is provided)	1500mm	n/a	

**SOFTSHADE
PRIME DUO**

SYSTEMS

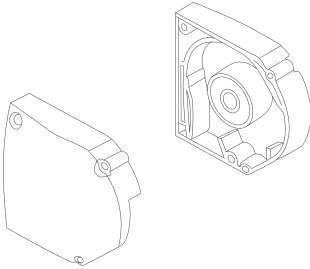
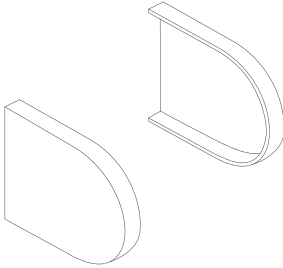
Domus Open Cassette -Allows visibility of the tube.

Domus Closed Cassette -White cassette covering tube.



Side Covers

Side Covers

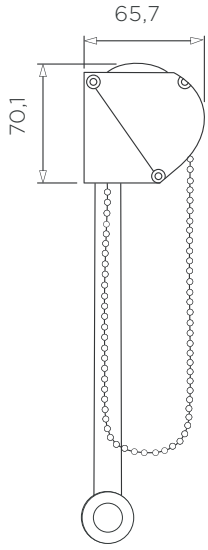
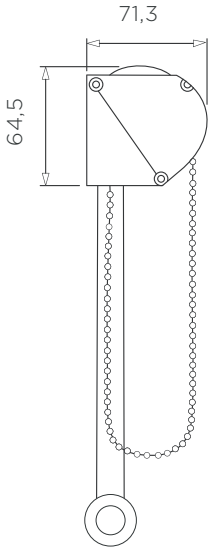
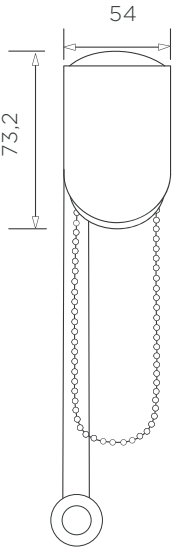
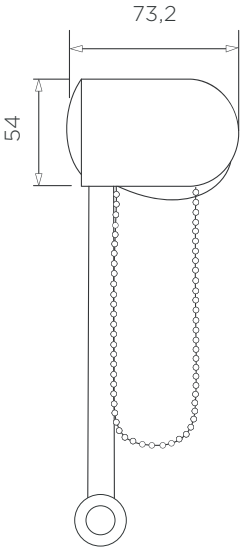


Face Fix

Top Fix

Face Fix

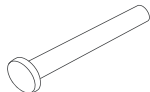
Top Fix



Safety Clip

Profile Bracket

Bottom Bar



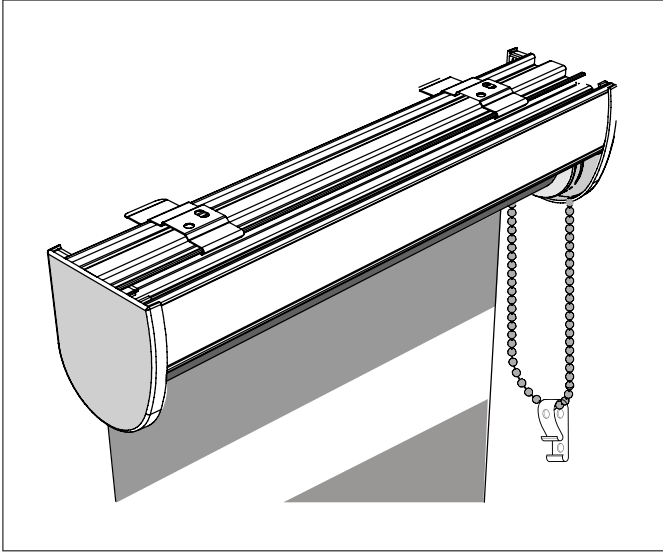
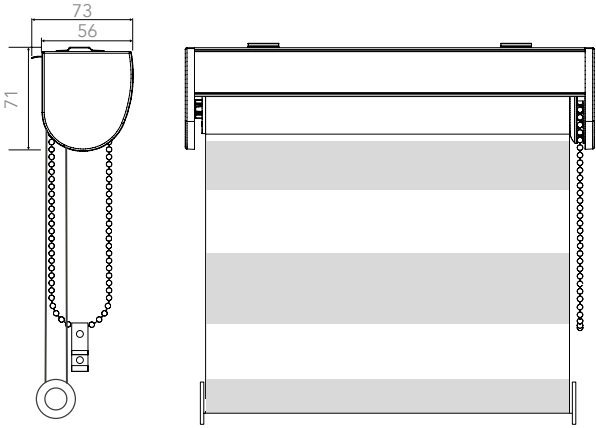
**SOFTSHADE
PRIME DUO**

40mm Open Fascia / 70mm Closed Fascia Systems

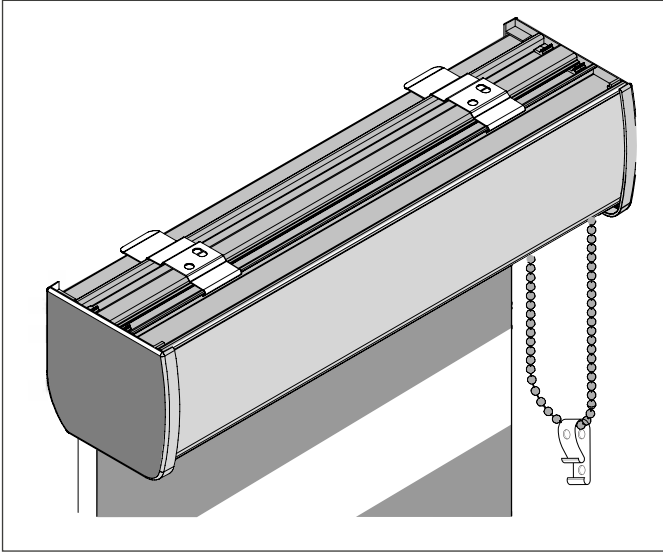
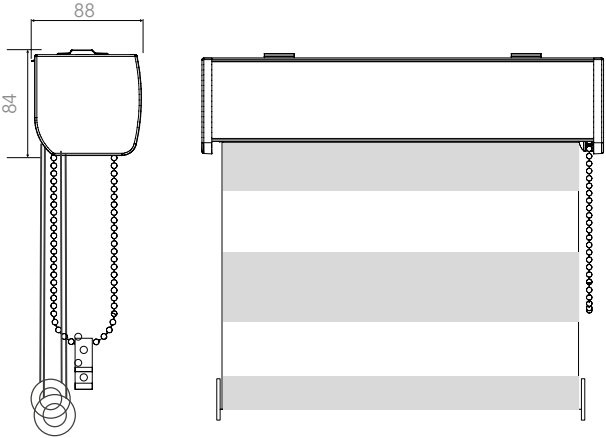
	STANDARD	OPTIONAL VARIATION	ADDITIONAL INFORMATION
System Type	40mm Open Fascia	70mm Closed Fascia	<ul style="list-style-type: none"> • Width 300mm - 2500mm Drop 500mm - 3000mm • Roller blinds are produced with an operating tolerance of +/-3mm (width and drop) • For anthracite system - the Operating Chain default is Nickel • No screws included • For all chains, the chain length will be rounded down to the nearest continuous chain length of 300mm / 500mm / 800mm/1050mm / 1200mm /1500mm /1800mm. Default chain length will be 100mm shorter than the drop of the blind and this will be rounded down to the nearest continuous chain length as above, unless overridden by Child Safety restrictions
System Colour	White - no fabric insert	White with Fabric Insert, Anthracite - with no fabric insert; Anthracite with fabric insert	
Bottom Bar Colour	Colour matched	n/a	
Operating Chain	White	Nickel	
Raise Control	Right	Left	
Control	Friction	Motorised	
Clutches	Louvolite 32mm	Louvolite 40mm	
Bracket	Top Fix	Top Fix Extension/Face Fix/ Face Fix Extension	
Bracket Covers	Standard	n/a	
Finish	Matching Bottom Bar	n/a	
Child Safety	Tie Down Clip	n/a	
Minimum Control Length	300mm	n/a	
Deduction from floor for control length (when install height is provided)	1500mm	n/a	

**SOFTSHADE
PRIME DUO**

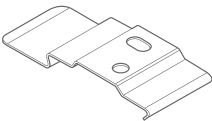
40mm Open Fascia



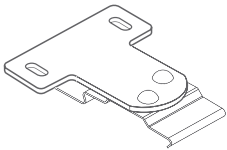
70mm Closed Fascia



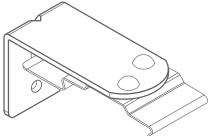
BRACKETS



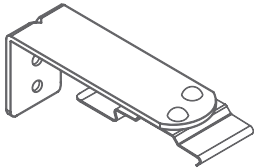
Top Fix Brackets



Cassette Top Fix
Extension Brackets



Face Fix Brackets



Extension Face Fix
Brackets

SOFTSHADE PRIME DUO

MOTORS

Roll up 24 RTS

Powering up to 4m² roller blinds, the Roll Up 24 RTS is the slimmest Somfy motor designed for 32mm slotted tubes. Powered by a built-in Lithium-ion rechargeable battery, the motor provides daily convenience and comfort with quiet operation, smooth motion and adjustable speed settings.

- Wire free for quick and easy installation
- Battery operated motor powered by built-in rechargeable battery
- Smooth & quiet motion with soft start & stop
- Move your blind to your favourite position in one click
- Low maintenance rechargeable battery (recharge 2 times per year)
- Compatible with a range of RTS controls



FEATURES	ROLL UP 24 RTS
Voltage	12V DC
Power supply	Lithium-ion embedded rechargeable battery
Battery life	800 mAh (4 hr charging time, recharge 2 times per year)
Radio frequency	433.42 MHz
Speed	38rpm
Adjustable Speed	20-38 by increment of 2 rpm
Torque	0.55 Nm
Noise level	Standard 56 dBA
Motor size	23.8mm diameter 478mm length
Tube	32mm Unishade roller tube
Width*	550mm - 2000mm
Drop*	200mm - 2000mm

CONTROL OPTIONS

The Roll Up 24 RTS can be controlled remotely using a range of RTS controls. Choose from remote control handsets, wall switch or compatible Smart Home connection hubs.

CHARGING THE MOTOR

The charger simply plugs into a standard mains socket and connects to the Somfy rechargeable integrated battery.

SOFTSHADE PRIME DUO

Roll up 28 RTS

A battery powered motor suitable for small/medium roller blinds with a max blind size of 8m². The Roll Up 28 RTS enables blinds to be raised and lowered in comfort with effortless control.

- Wire free with integrated battery pack
- Reliable Lithium-Ion technology for ultimate performance
- Easy installation with quick programming setup
- Low maintenance rechargeable battery (recharge twice per year)
- Smooth & quiet motion with soft start & stop
- Personal comfort with adjustable raise, lower and intermediate positions
- Compatible with a range of RTS controls



FEATURES	ROLL UP 28 RTS
Voltage	12V DC
Power supply	Lithium-ion embedded rechargeable battery
Battery life	1400 mAh (4.5 hr charging time, recharge 2 times per year)
Radio frequency	433.42 MHz
Speed	28rpm
Torque	0.7 Nm
Noise level	Standard 56 dBA
Motor size	26.6mm diameter 580mm length
Tube	40mm Unishade roller tube
Width*	650mm - 2500mm
Drop*	200mm - 2500mm

CONTROL OPTIONS

The Roll Up 28 RTS can be controlled remotely using a range of RTS controls. Choose from remote control handsets, wall switch or compatible Smart Home connection hubs.

CHARGING THE MOTOR

The charger simply plugs into a standard mains socket and connects to the Somfy rechargeable integrated battery.

SOFTSHADE PRIME DUO

Sonesse Ultra 30 RTS

Powering up to 9m² roller blinds, this battery powered motor is suitable for medium/large roller blinds. The Sonesse Ultra 30 RTS offers a powerful motor with a quick and easy setup process. An ultra-quiet drive motor, the Sonesse Ultra 30 RTS enables blinds to be raised and lowered with smooth, quiet motion for ultimate daily convenience. .

- Wire free with embedded rechargeable battery
- Reliable lithium-ion technology for ultimate performance
- Ultra-quiet motor
- Low maintenance rechargeable battery (recharge once per year)
- Superior operation with soft start & stop
- Adjustable speed for quicker operation
- Compatible with a range of RTS controls



FEATURES	SONESSE ULTRA 30 RTS
Voltage	12V DC
Power supply	Lithium-ion embedded rechargeable battery
Battery life	2600 mAh (4.5 hr charging time, recharge 1-2 times per year)
Radio frequency	433.42 MHz
Speed	28 rpm
Adjustable speed	10-28 by increment of 2 rpm
Torque	2 Nm
Noise level	Ultra-quiet, < 44dBA
Motor size	635mm length 28.8mm diameter
Tube	40mm & 45mm Unishade roller tube
Width*	700 – 3000mm
Drop*	200 – 3000mm

CONTROL OPTIONS

The Sonesse Ultra 30 RTS can be controlled remotely using a range of RTS controls. Choose from remote control handsets, wall switch or compatible Smart Home connection hubs.

CHARGING THE MOTOR

The charger simply plugs into a standard mains socket and connects to the Somfy rechargeable integrated battery.

SOFTSHADE PRIME DUO

REMOTES

Single channel radio remote handsets

Situo RTS



Situo 1 RTS



* More than one remote can be programmed to any one motor

- 1 channel
- To control 1 motorised blind or 1 group of motorised blinds (8 blinds max)
- Up, Down and Stop functions
- My function: Memorises your favourite position for instant adjustment
- Available in Pure

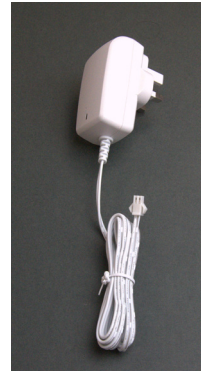
Multi-channel radio remote handsets

Situo 5 RTS

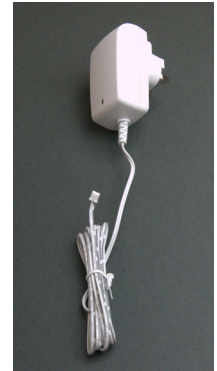


- 4 channel (plus 1 group channel)
- To control 1 motorised blind or 1 group of motorised blinds (8 blinds max per channel)
- Up, Down and Stop functions
- My function: Memorises your favourite position for instant adjustment
- Available in Pure

SOMFY BATTERY CHARGERS



BOC369 -Somfy Charger for Integrated Roll Up 28



BOC368 - AC Charger for Li-Ion Motor Batteries

Euro charger available

BOC399 -Somfy EU Charger for Integrated Roll Up 28

BOC396 - AC EU Chargers for Li-Ion Motor Batteries

SINGLE CHANNEL RADIO WALL SWITCH

Smoove RTS Wall Switch



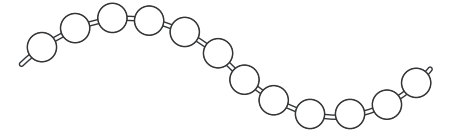
The battery powered Somfy Smoove Wall Switch allows you to wirelessly control your blinds with the touch of a button.

- 1 channel
- Touch sensitive wall-mounted control unit
- To control 1 motorised blind or 1 group of motorised blinds (8 blinds max.)
- Up, Down and Stop functions
- Available in 2 finishes for the frame: Pure, Silver,
- Dimensions: Modules 50x50x10 mm / Frames 80x80x10 mm

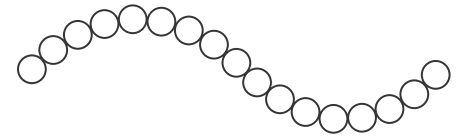
CHAINS

- The endless loop chain will have a tolerance of, +0mm, -50mm.
- Standard chain length, will be close to but less than what is ordered to adhere to child safety legislation.
- For all chains, the chain length will be rounded down to the nearest continuous chain length of 300mm / 500mm / 800mm/1050mm / 1200mm /1500mm /1800mm. Default chain length will be 100mm shorter than the drop of the blind and this will be rounded down to the nearest continuous chain length as above, unless overridden by Child Safety restrictions.

For example, if the chain length is specified at 65cm the closest smallest length is 50cm and this is what it will be produced to.



No. 10 Plastic



No. 10 Nickel

RECOMMENDED TUBE SIZES

Essentials Collection

BLIND WIDTH	RECOMMENDED TUBE SIZE
0-1400mm	25mm tube
1401-1800mm	28mm tube
1801-2400m	38mm tube

Louvolite 40mm Open / 70mm Closed Fascia Systems

BLIND WIDTH	RECOMMENDED TUBE SIZE
0-2000mm	32mm tube
2001-2500mm	40mm tube

SOFTSHADE PRIME DUO

SERVICE

- SoftShade Prime Duo offer a 7-10 working days service for Made to Measure Blinds.
- SoftShade Prime Duo are a custom made product; once ordered and processed the blind is manufactured immediately, hence there will be no facility to amend or cancel the order once submitted.
- A dispatch notification will be emailed on dispatch of the order.
- Accounts on credit hold will not be forwarded to supplier to manufacture until the customer is off credit hold. Therefore the 7-10 working day lead time will begin once the customers has been taken off credit.
- There may be a delay of up to 72 hours from Dispatch notification to the point that the order can be tracked.
- All orders can be tracked through courier tracking numbers provided with the Dispatch notification.
- Deliveries to ROI will incur an additional 3 working day lead time.
- Additional delivery charges for NI - £10/€10 & ROI - £20/€20.
- SoftShade Prime Duo is not available to order outside of the UK, ROI and Channel Islands.

SPECIAL INSTRUCTIONS

No special instructions are available on SoftShade Prime Duo. Any information added at the point of order under special instructions will not filter through to production.

HOLIDAYS

- UK holiday's will extend lead times as per Courier holidays.

WARRANTY

SoftShade Prime Duo are covered by a 12 month guarantee from the date of delivery based on the following points:

- 1) The product has not been altered/ adjusted or customised post production.
- 2) The product has not been affected through installation by any third party.
- 3) The product order does not sit outside Decora's recommended specification.

Any defective blinds must be detailed to Decora accompanied with photos showing defects. Any remake or repair will be subject to stock conditions and alternatives may be used if and where necessary. Remakes will be prioritised with a leadtime of 7-10 working days.

**Fabric flaws visible from 1m will be deemed as unacceptable*

**SOFTSHADE
PRIME DUO**

FABRIC SPECIFICATION

FABRIC RANGE	COLOUR	MAX WIDTH	MAX DROP
Luna	Pure	2350mm	3000mm
Luna	Beige	2350mm	3000mm
Luna	Barley	2350mm	3000mm
Luna	Slate	2400mm	3000mm
Luna	Flint	2350mm	3000mm
Luna	Jet	2400mm	3000mm
Rift	All Colours	2350mm	3000mm
Nobis	All Colours	2400mm	3000mm
Rosso	All Colours	2400mm	3000mm
Mero	All Colours	2400mm	3000mm
Hoxton	All Colours	2400mm	3000mm
Kanza	All Colours	2400mm	3000mm
Tela	All Colours	2400mm	3000mm