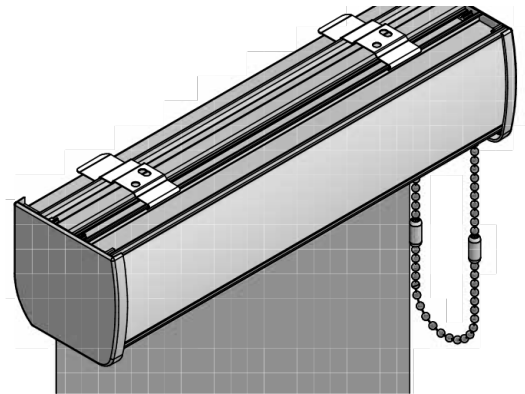


Measuring Instructions: Cassette Roller Blinds For Angled Bay Windows

Angled Bay Window



TIPS

Use a metal tape measure to ensure accurate measurements.

Fabric on a roller blind is 40mm narrower than the full cassette size meaning that on a bay window where two blinds are fitted next to each other the gap will be approximately 40mm. This may prevent all the glass being covered.

RECESS SIZE: The cassette blind will be made 5mm **NARROWER** than the recess size given.

EXACT SIZE: The cassette blind will be 5mm **WIDER** than the exact size given.

Bracket Allowance

Cassette Roller blind brackets are either **top fixed** where you screw the blind into the top of the recess or **face fixed** where the brackets are screwed facewards into the window frame. The wrapped full fascia bracket cover fits over the bracket when the cassette is fitted.

Deciding to face fix or top fix is determined by where you have room to fit the cassette. You will need at least 90mm of recess to fit the cassette roller blind into.

Cassette Allowance

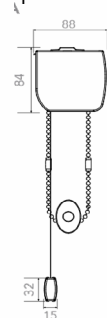
Top Fix

The top of the cassette measures 88mm so you will need at least 90mm for a comfortable fit.

Face Fix

The face fix bracket requires slightly more allowance as the bracket sits at the back of the cassette so you will need to allow at least 95mm for a comfortable fit.

A. System 40® standard metal bracket top fix & 70mm cover.



B. System 40® standard metal bracket top front view.



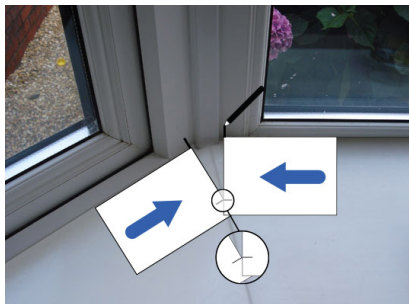
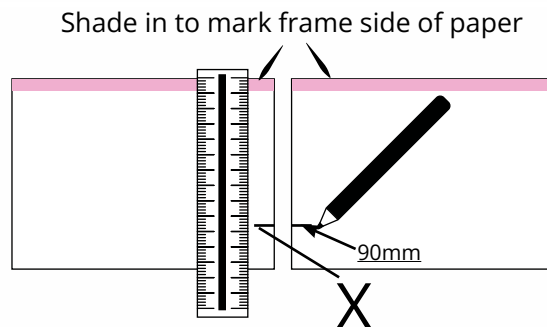
Take an A4 sheet of paper and cut in half.

Place the two pieces of paper next to each other and mark a line at measurement **X**.

e.g. **Top fix fitting: Side window 870mm wide x 1500mm drop**
870mm - 90mm = 780mm

Face fix fitting: Side window 870mm wide x 1500mm drop
870mm - 95mm = 775mm

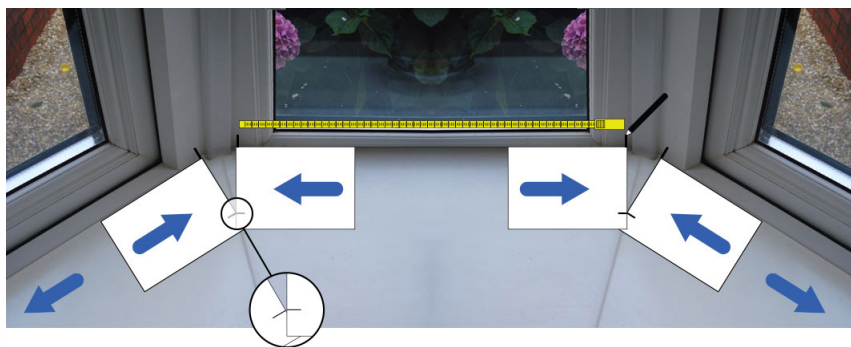
Windows



1) Place the pieces of paper on the window sill touching the frame and slide together until the two lines meet.

2) Then using a pencil make a mark on the window sill at the point where the corner of the fabric meets the frame.

3) Repeat on the other angles around the bay.



Measure from one mark to the next as shown on the illustration. This will give you the widths the blinds will need to be.

Order all blinds as **EXACT SIZE (N.B. Reduce each width by an extra 5mm to allow for the cassette)**

The overall width of the roller blind including brackets is approximately 35mm wider than the fabric.

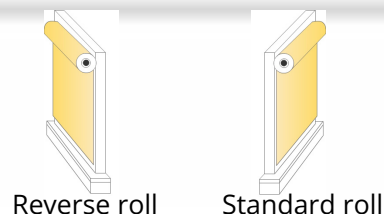
Doors

Follow the same principle for where a door meets a window, however be sure to note down the longer measurement for the drop.

Window Handles

If your window has any handles that protrude out affecting the blinds then please order them as reverse roll.

The fabric will then fall over the front of the tube, missing the handles. See images.



Drop

For the drop measure from where the bracket is to be fitted to the window sill.

Order all blinds as **EXACT SIZE**.