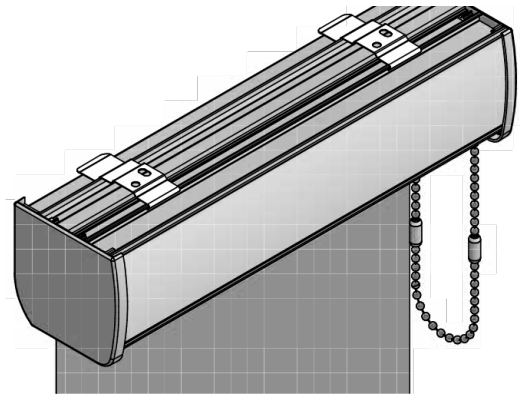
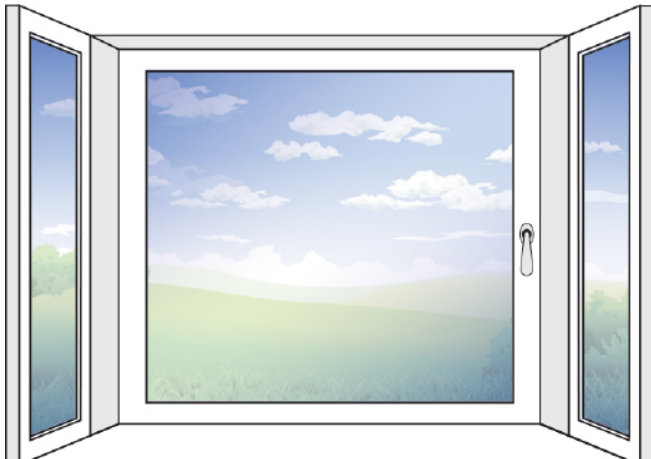


# Measuring Instructions: Cassette Roller Blinds For Angled Bay Windows

Boxed Bay Window



## TIPS

Use a metal tape measure to ensure accurate measurements.

Fabric on a roller blind is 40mm narrower than the full cassette size meaning that on a bay window where two blinds are fitted next to each other the gap will be approximately 40mm. This may prevent all the glass being covered.

RECESS SIZE: The cassette blind will be made 5mm **NARROWER** than the recess size given.

EXACT SIZE: The cassette blind will be 5mm **WIDER** than the exact size given.

## 3 Options For Fitting Cassette Roller Blinds On Boxed Bay Windows

The first thing to do is decide how you want to fit your blinds. Choose from option 1, 2 or 3. Review the summary next to each image for tips on which is best for your window.

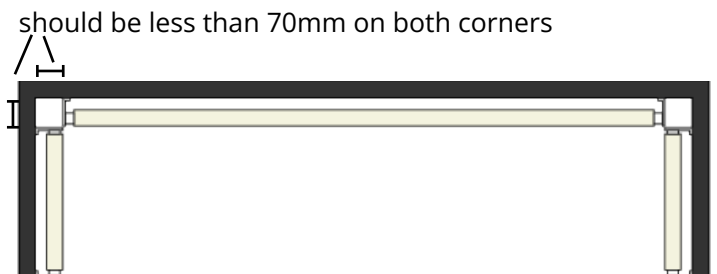
### Option 1: The most common method of installation

This method is designed to ensure that the two side blinds butt up against the front blind which is measured to fill the entire width of the front window.



### Option 2: The most tricky method of installation

For the confident measurer, this gives a more professional fit as the blinds meet in the corner but is dependent on a minimum frame size of 70mm. Measure from the corner to the glass, if the frame is less than 70mm then go for option 1 or 3 to avoid the blinds not covering the glass properly.



### Option 3: Good if you have small side windows

Where the side windows are so small that once the bracket allowance is made they're too small to be made.

This method does result in a gap between the blinds and the glass will be visible.



### **Bracket Allowance**

Cassette Roller blind brackets are either **top fixed** where you screw the blind into the top of the recess or **face fixed** where the brackets are screwed facewards into the window frame. The wrapped full fascia bracket cover fits over the bracket when the cassette is fitted.

Deciding to face fix or top fix is determined by where you have room to fit the cassette. You will need at least 90mm of recess to fit the cassette roller blind into.

### **Cassette Allowance**

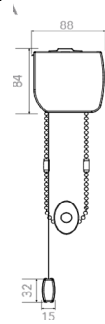
#### **Top Fix**

The top of the cassette measures 88mm so you will need at least 90mm for a comfortable fit.

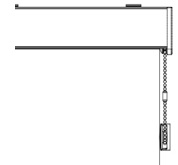
#### **Face Fix**

The face fix bracket requires slightly more allowance as the bracket sits at the back of the cassette so you will need to allow at least 95mm for a comfortable fit.

A. System 40® standard metal bracket top fix & 70mm cover.



B. System 40® standard metal bracket top front view.



### **Option 1: The most common method of installation**

- 1) Measure the full width of the front window.
- 2) Measure the full width of each side window separately as they are often different and note the sizes down then deduct **90mm for top fix** or **95mm for face fix** from that size.

**e.g. Top fix fitting: 870mm wide x 1800mm drop. Side window 870mm - 90mm) = 780mm**

**Face fix fitting: 870mm wide x 1800mm drop. Side window 870mm - 95mm) = 775mm**

3. Order **ALL THREE** blinds are **RECESS SIZE**.

### **Option 2: The most tricky method of installation**

On both corners measure from the corner of the bay to the start of the glass, if either measurement is less than 70mm then we recommend to not use this option and use option 1 or option 2.

- 1) Measure the full width of the front window and deduct **TWICE** the bracket allowance **X**.

**e.g. Top fix fitting: 2000mm wide x 1800mm drop. Front window 2000mm - 90mm - 90mm = 1820mm**

**Face fix fitting: 2000mm wide x 1800mm drop. Front window 2000mm - 95mm - 95mm = 1810mm**

- 2) Measure the full width of each side window separately as they are often different and note the sizes down then deduct **X** from that size.

**e.g. Top fix fitting: 870mm wide x 1800mm drop. Side window 870mm - X (90mm) = 780mm**

**Face fix fitting: 870mm wide x 1800mm drop. Side window 870mm - X (95mm) = 775mm**

- 3) Order **ALL THREE** blinds as **RECESS SIZE**.

### **Option 3: Good if you have very small side windows**

- 1) Measure the full width of the front window and deduct **TWICE** the bracket allowance **Z**.

**e.g. Top fix fitting: 2000mm wide x 1800mm drop. Front window 2000mm - 90mm - 90mm = 1820mm**

**Face fix fitting: 2000mm wide x 1800mm drop. Front window 2000mm - 95mm - 95mm = 1810mm**

- 2) Measure the full width of each side window separately as they are often different and note the sizes down, no deductions are made.

- 3) Order **ALL THREE** blinds as **RECESS SIZE**.

### **DROP**

- 1) Measure the full drop of the window from where the brackets are mounted to where the fabric should finish.

### **Window Handles**

If your window has any handles that protrude out affecting the blinds then please order them as reverse roll.

The fabric will then fall over the front of the tube, missing the handles. See images.



Reverse roll



Standard roll