

Measuring Instructions: Roller Blinds For Victorian (Angled) Conservatories

Victorian Conservatories



These can be used for:

Roller blinds

Electric roller blinds

Cordless roller blinds

TIP!

Use a metal tape measure to ensure accurate measurements.

Fabric on a roller blind is 35mm narrower than the full bracket to bracket size meaning that on windows where two blinds are fitted next to each other the gap will be approximately 40mm. This may prevent all the glass being covered.

Bracket Allowance

Roller blind brackets for conservatories are **face fixed** i.e. the brackets are screwed facewards into the window frame.

The size of roller blind brackets are different depending on the size of the blind.

Use the information below to determine the bracket allowance.

Bracket Allowance = X

If you have decided to top fix

Bracket allowance for blinds up to 2000mm wide x 2500mm drop: **X = 53mm**

Bracket allowance for blinds up to 2500mm wide x 2700mm drop: **X = 56mm**

If you have decided to face fix

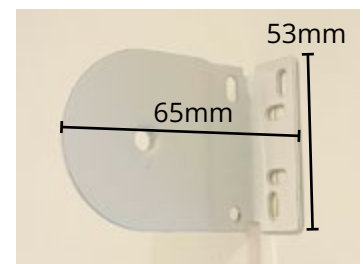
Bracket allowance for blinds up to 2000mm wide x 2500mm drop: **X = 65mm**

Bracket allowance for blinds up to 2500mm wide x 2700mm drop: **X = 71mm**

Note down the **X** value for the next step.

Bracket Allowance = X

Face Fix



Window Handles

If your window has any handles that protrude out affecting the blinds then please order them as reverse roll.

The fabric will then fall over the front of the tube, missing the handles. See images.



Reverse roll



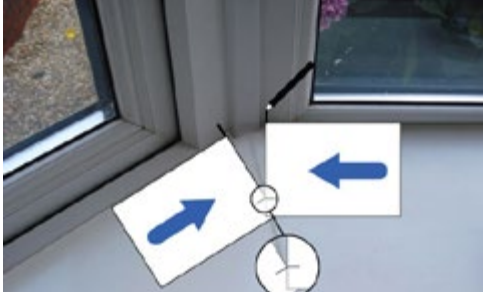
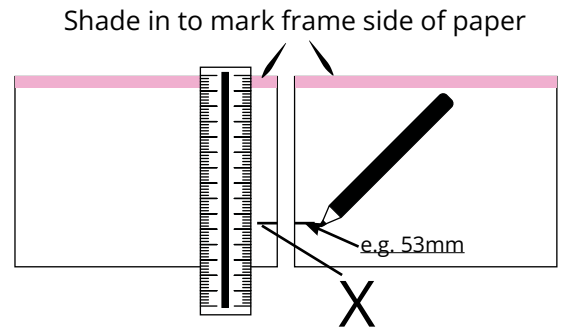
Standard roll

Side Windows

Take an A4 sheet of paper and cut in half.

Place the two pieces of paper next to each other and mark a line at measurement **X**.

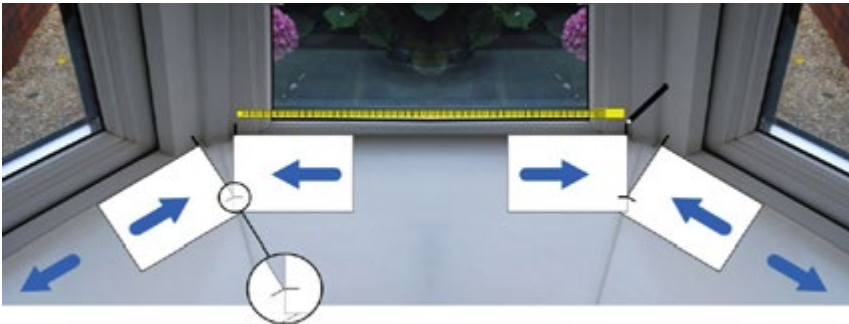
**e.g. Top fix fitting: Side window 870mm wide x 1500mm drop
870mm - X (53mm) = 817mm**



1) Place the pieces of paper on the window sill touching the frame and slide together until the two lines meet.

2) Then using a pencil make a mark on the window sill at the point where the corner of the paper meets the frame.

3) Repeat on the other angles around the bay conservatory.



Measure from one mark to the next as shown on the illustration. This will give you the widths the blinds will need to be.

Order all blinds as
**BRACKET TO BRACKET
SIZE**

The overall width of the roller blind including brackets is approximately 35mm wider than the fabric.

Drop

For the drop measure from where the bracket is to be fitted to the window sill.

Order all blinds as **BRACKET TO BRACKET SIZE**.

Doors

The fitting of roller blinds on conservatory doors can be done in 2 places depending on available bracket space and personal choice.

Option 1 - Fitting blinds onto the outer door frame

This is generally along the same frame as where the blinds for the windows will be fitted, meaning they will not be affected by the doors. Choosing between 1 or 2 blinds gives different light control options.

One blind

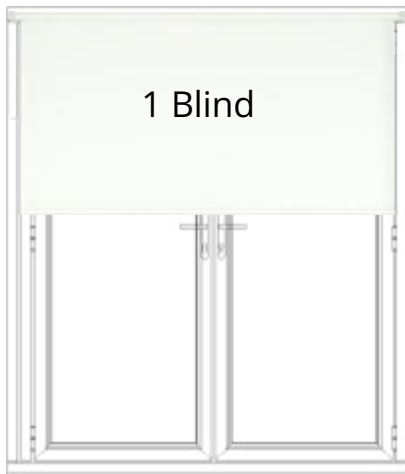
Width

With a pencil mark on the frame where each bracket would be fitted and use this as the width.

Drop

Measure from where the brackets are to be fitted to where the fabric will finish.

Order as **BRACKET TO BRACKET**



Two blinds

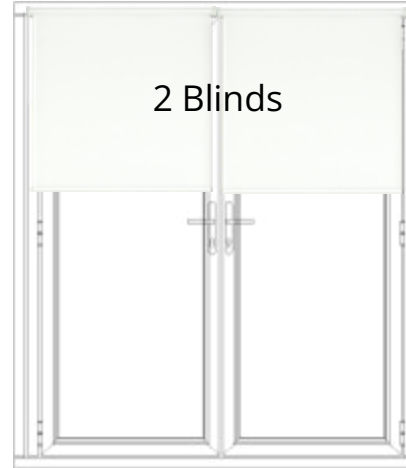
Width

With a pencil mark on the frame where each bracket would be fitted for both blinds and use this as the width.

Drop

Measure from where the brackets are to be fitted to where the fabric will finish.

Order both blinds as **BRACKET TO BRACKET**



Option 2 - Fitting blinds onto the doors



Width

Measure the required width the fabric needs to be ensuring that it sits inside the handle, making sure it isn't touching it.

Bear in mind as in the illustration the bracket to bracket width of the blind will be approximately 35mm wider than the fabric, so ensure there is enough fitting space for the brackets.

Drop

Measure up to 2 inches below the glass to ensure it's covered.

Order as **FABRIC SIZE**.

The overall width of the roller blind including brackets is approximately 35mm wider than the fabric.