

Measuring Instructions: Vertical Blinds For Angled Bay Windows 89mm (3.5") & 127mm (5") Slats / Louvres

Angled Bay Window



Tips

Use a metal tape measure to ensure accurate measurements

Bracket Types for Vertical Blinds (these are chosen during the ordering process)

Vertical blinds can be fitted either **top fixed**, where you screw the blind into the top of the recess or **face fixed**, where the brackets are screwed facewards into the window frame. The same top fix bracket is used for 89mm/127mm slats widths, however there are different size face fix brackets for 89mm/127mm slat size.

Use the information below to determine the bracket allowance depending on the best fitting surface and slat size chosen. This will be referred to as **X**.

Top Fix

The brackets are fixed into the top of the recess.

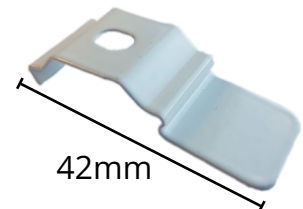
BRACKET SIZE: 42mm

89mm louvres, bracket allowance: X = 70mm

127mm louvres, bracket allowance: X = 89mm

This will give a clearance of approximately 25mm between louvre and fitting surface allowing for louvres to rotate freely and for small window handles or obstructions.

(Allowances for any larger handles will be made later)



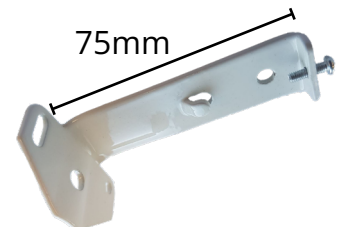
Small Face Fix (only used on 89mm louvres)

The brackets are face fixed into the window frame.

BRACKET ALLOWANCE: X = 75mm

This will give a clearance of approximately 25mm between **89mm** louvres and fitting surface allowing for louvres to rotate freely and for small window handles or obstructions.

(Allowances for any larger handles will be made later)

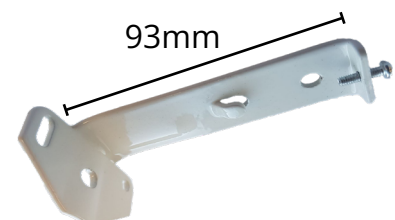


Large Face Fix

The brackets are face fixed into the window frame.

BRACKET ALLOWANCE: X = 93mm

This will give a clearance of approximately **49mm on 89mm louvres** and **25mm on 127mm louvres** between fitting surface allowing for louvres to rotate freely and for any window handles. (Allowances for any larger handles will be made later)



Note down **X** for the next step.



Window Handle Allowance

Measure the protrusion of the window handle.

25mm or less move on to the next step as this is already allowed for on the previous step.

Over 25mm, you will need to make an additional allowance.

Measure the handle protrusion as shown in the image opposite e.g. 45mm.

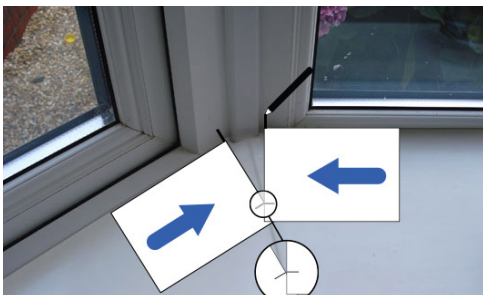
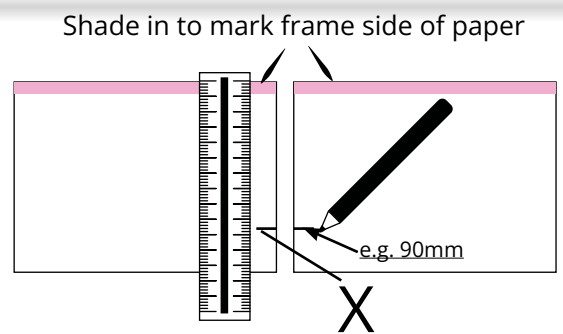
Additional Allowance

45mm window handle - 25mm allowance = 20mm

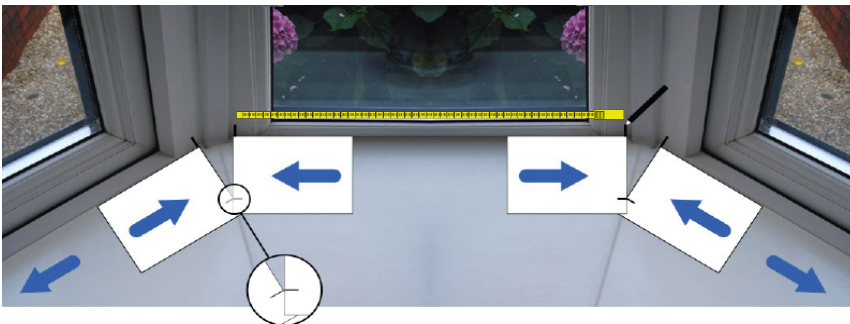
Take an A4 sheet of paper and cut in half. Place the two pieces of paper next to each other and mark a line at measurement **X**.

e.g. Top fix brackets, 89mm louvres
X = 70mm

e.g. Top fix brackets, 89mm louvres, window handles of 45mm
X = 70mm + 20mm = 90mm



- 1) Place the pieces of paper on the window sill touching the frame and slide together until the two lines meet.
- 2) Then using a pencil make a mark on the window sill at the point where the corner of the paper meets the frame.
- 3) Repeat on the other angles around the bay conservatory.



Measure the distance between the two pencil marks on each window around the bay as shown on the illustration. This will give you the widths the blinds will need to be.

Order all blinds as **EXACT SIZE**

Drop

Measure from where the top of the bracket is to be fitted to the window sill. Check the drop all around the bay as it will often differ. DEDUCT 10mm from the smallest drop to allow for some clearance.

Order all blinds as **EXACT SIZE.**