

lifestyle™

blinds

These contain fitting instructions for roller blinds with 3 different tube sizes, System 32®, System 40® & System 45®. Please check the ticket with your blind to check which tube size has been used then scroll through the document for the relevant size.

System 32® Page 2

System 40® Page 8

System 45® Page 16



Roller System 32® Side Control Fitting & Operating Instructions

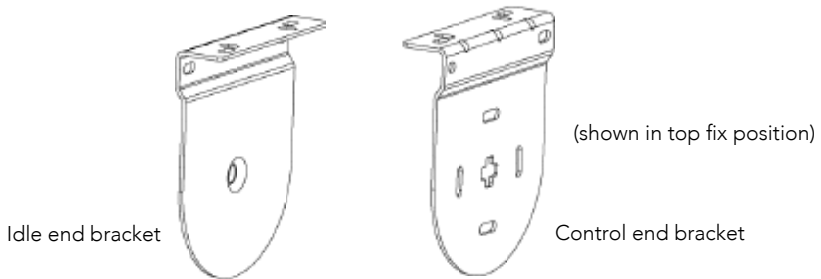
■■■■ LOUVOLITE

Roller System 32® Side Control
Fitting & Operating Instructions

Carefully unwrap the roller blind and its associated brackets.

The brackets are universal and can be fixed in a top, face or side fix position.

Note – System 32® has two differing brackets, an idle end and a control end that should be installed for the operation of the blind.

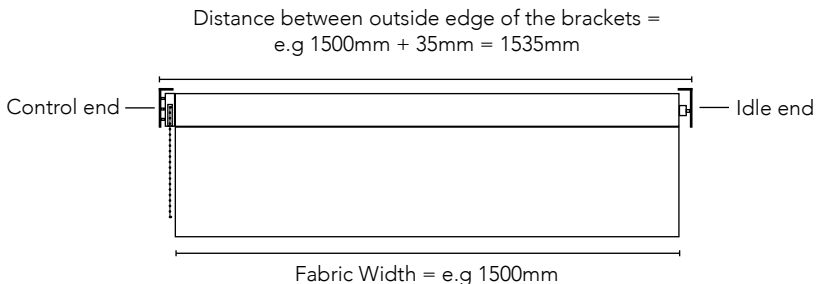


FITTING THE BRACKETS

To work out the distance required between each bracket you will need to first measure the fabric width, e.g 1500mm.

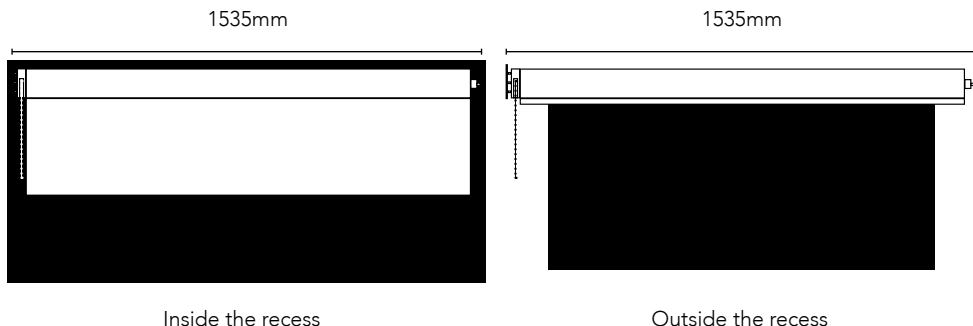
Add to this an allowance for the control and idle end of 35mm, e.g = 1535mm.

1535mm would be the measurement from the outside of one bracket to the outside of the other bracket.



Roller System 32® Side Control
Fitting & Operating Instructions

Use this figure to position the outside of your brackets accordingly whether inside of the recess or outside of the recess



Mark the hole positions before drilling and plugging if necessary. Use two screws in each bracket ensuring that the brackets are level. Remember to allow room for the blind to clear any obstacles when deployed, e.g. door or window handles.

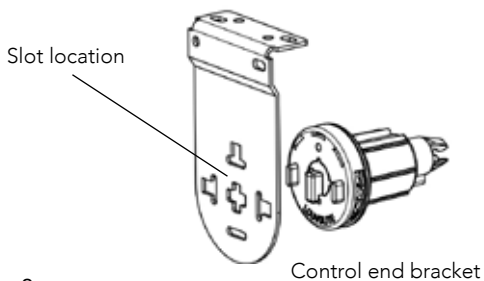
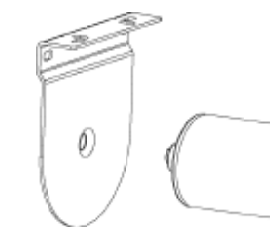
FITTING THE BLIND

Once the brackets have been fitted the blind can be inserted into the brackets.

Note – For conventional roller blinds the fabric comes down from the back of the blind and for reverse roll blinds the fabric hangs from the front of the blind.

With the fabric rolled around the tube, offer the idle end (the end with the pin to the idle end bracket.

With the idle end in place offer the control end to the opposite bracket and secure the blind in place ensuring that the centre lug has dropped into the slot on the bracket.



CHILD SAFETY

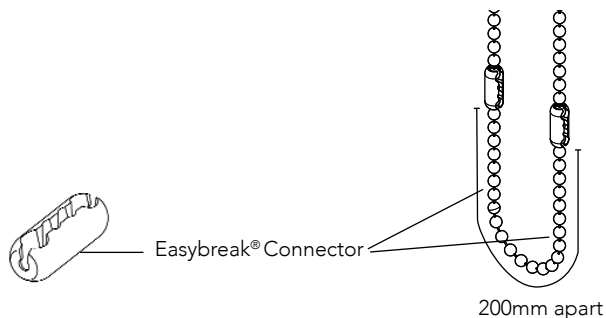
Your blind will be supplied with either Easybreak® connectors attached to the operating chain or a cord tidy that will need to be fitted to the wall.

EASYBREAK® SYSTEM

Two Easybreak® connectors are connected to the operating chain 200mm apart. This ensures that at least one of them will be in the vertical position ensuring they perform as required.

If excessive weight is applied within the loop an Easybreak® connector will break apart.

If an Easybreak® connector comes apart then it will need to be re-connected. To re-connect, check the Easybreak® connector for damage. If undamaged, re-connect the chain by inserting the last ball on the end of the chain into the larger hole of the connector and push it into place.



TENSIONED SYSTEM USING CORD TIDY

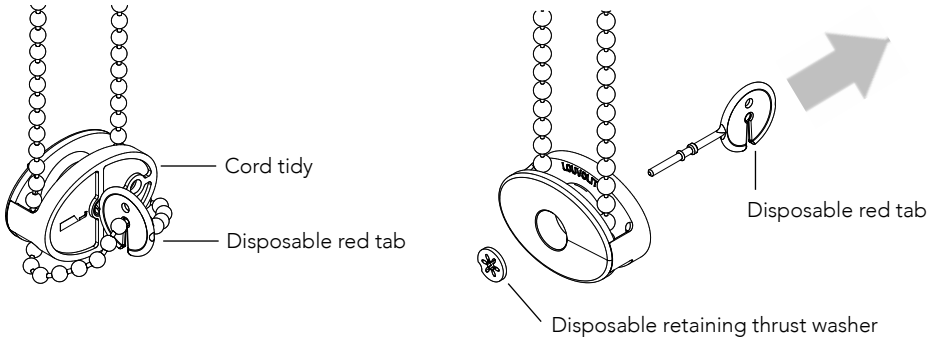
If the blind is fitted with a continuous loop chain then a cord tidy will be attached to the chain. This must be fitted to the wall as follows:

FITTING A SIDE FIX CORD TIDY

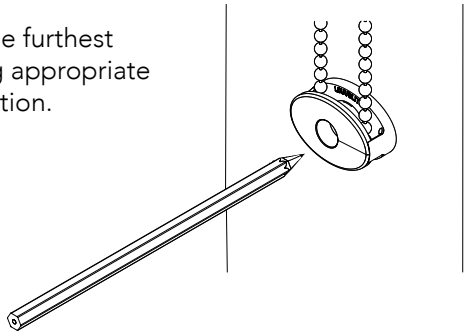
The cord tidy is a two piece device and will arrive with a disposable red tab fitted to it.

Roller System 32® Side Control
Fitting & Operating Instructions

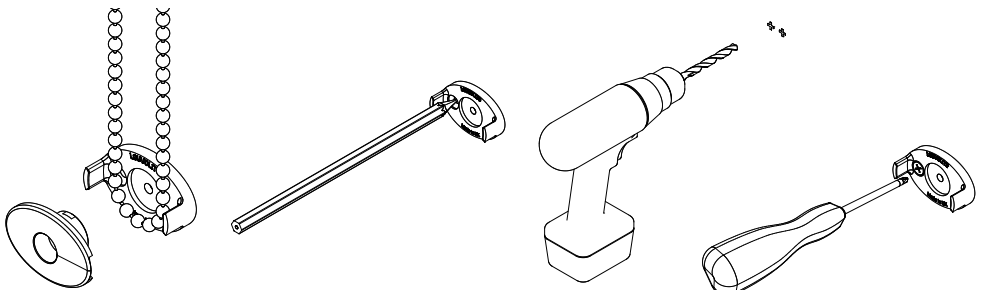
Remove the disposable red tab by disengaging it from the chain and then pull out the disposable red tab.



Position the cord tidy to the wall at the furthest distance below the roller tube adding appropriate tension to the chain and mark its location.



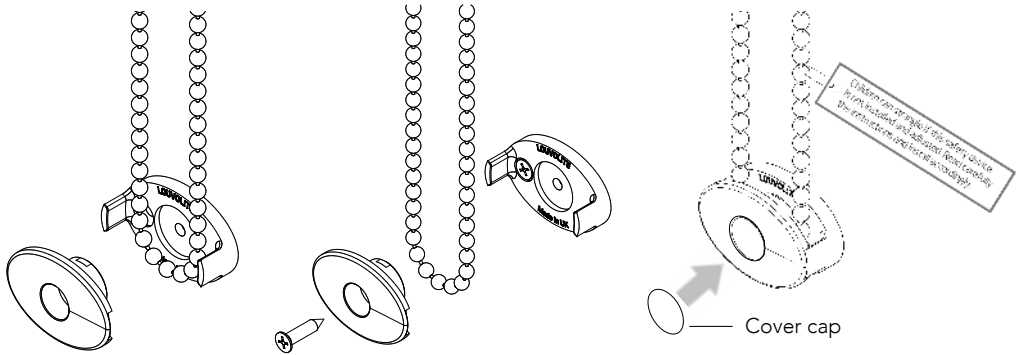
Split the cord tidy and mark the remaining offset hole position before drilling and plugging both location holes if necessary. Screw into the offset hole to fix the back piece of the cord tidy to the wall.



Roller System 32® Side Control Fitting & Operating Instructions

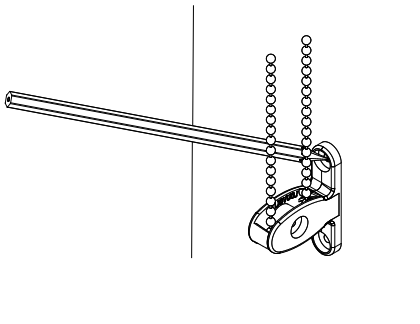
Re-assemble the cord tidy with the chain and fix it in previously marked position with a screw through the centre hole.

Push fit a cover cap over the screw hole opening.

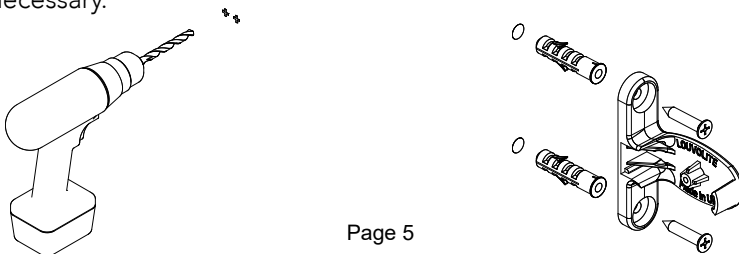


FITTING A FACE FIX CORD TIDY

Position the face fix cord tidy to the wall at the furthest distance below the headrail adding appropriate tension to the chain and mark its location.



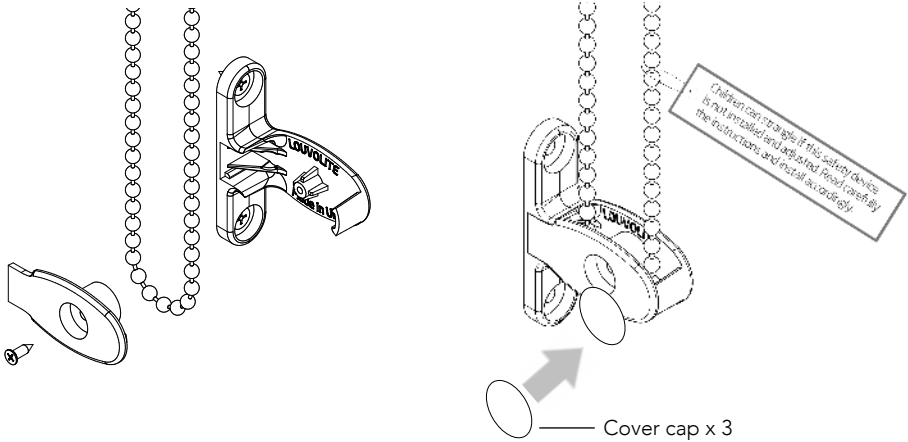
Mark the remaining hole position before drilling and plugging both location holes if necessary.



Roller System 32® Side Control
Fitting & Operating Instructions

Attach the cord cover plate with the screw provided.

Push fit a cover cap over the screw hole opening.



OPERATING THE BLIND

For a conventional roller blind, in order to lower the blind, pull the rearmost length of chain downwards with a smooth and steady pressure. To roll the blind up do the same on the front length of chain.

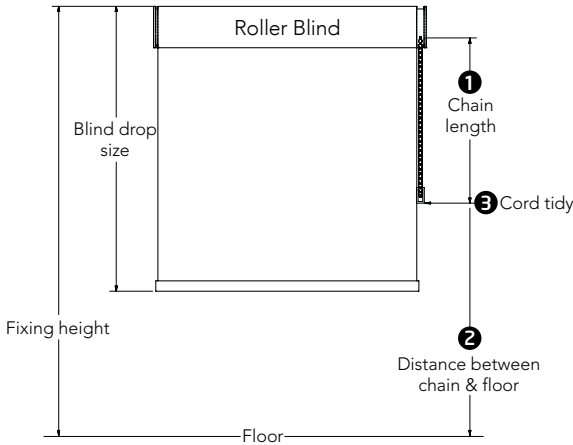
For a reverse roll blind the opposite is true, to lower use the front chain and to raise, use the rear chain.

NOTE TO INSTALLER:

Please ensure a general child safety warning tag is fitted on the product.

Child Safety - BS EN 13120 Guidelines for Roller Blinds

Tensioned System with Cord Tidy

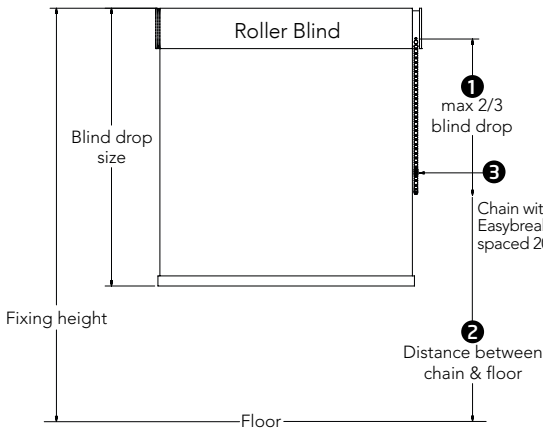


- 1 If fixing height is unknown**
 - Blind drop \leq 2.5 metres, the chain length must be \leq 1 metre.
 - Blind drop $>$ 2.5 metres, the chain length must be drop of blind minus 1.5 metres.
- 2 If fixing height known**

All blind drop sizes, distance between floor and bottom of chain must be greater than 1.5 metres.
- 3 Cord tidy**

Affix a cord tidy to the wall at the maximum distance possible from the blind control mechanism ensuring all operating cords are taut (chain no more than 50mm apart at entry/exit of cord tidy).

Breakaway Connector System



- 1 If fixing height unknown**
 - Blind drop \leq 2.5 metres, the chain length must be max 2/3 blind drop.
 - Blind drop $>$ 2.5 metres, the chain length must be max 2/3 blind drop.
- 2 If fixing height known**

All blind drop sizes, distance between floor and bottom of chain must be greater than 0.6 metres.
- 3 Chain must be fitted with 2 x Easybreak connectors 200mm apart**

Will break apart when excessive force is exerted on the chain.

NOTE TO INSTALLER: Please ensure general child safety warning tag is fitted on the product.

WARNING

Young children can be strangled by loops in pull cords, chains, tapes and inner cords that operate the product.

To avoid strangulation and entanglement, keep cords out of the reach of young children. Cords may become wrapped around a child's neck. Move beds, cots and furniture away from window covering cords.

Do not tie cords together. Make sure cords do not twist and create a loop.



Also find us on:



Louvolute Customer Services Tel: 0161 892 5050 Email: sales@louvolute.com
 Visit the Louvolute website to view the links to all of our assembly instructional videos
www.louvolute.com



ROLLER SYSTEM 40®/40+®
SIDE CONTROL
fitting and operating instructions

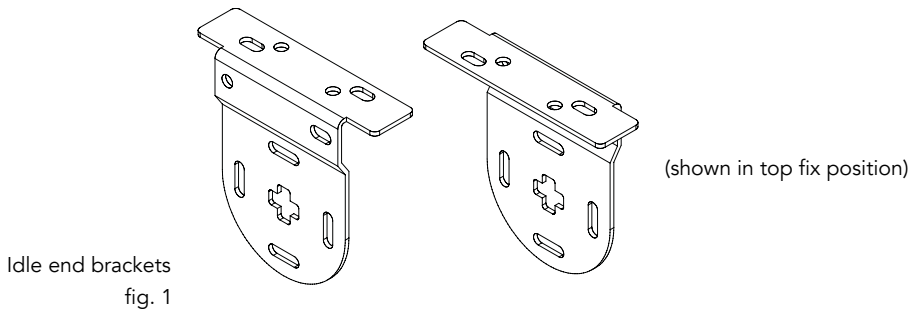
ROLLER SYSTEM 40[®]/40+[®] CONTROL

fitting & operating instructions

Carefully unwrap the roller blind and its associated brackets.

The brackets are universal and can be fixed in a top, face or side fix position.

Note – For System 40[®]/40+[®] the control and idle end brackets are identical (fig. 1).

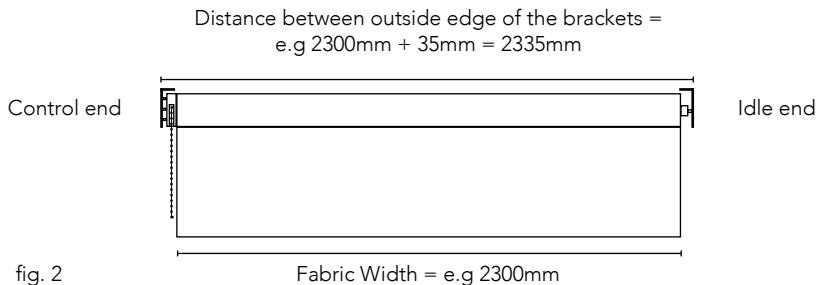


FITTING THE BRACKETS.

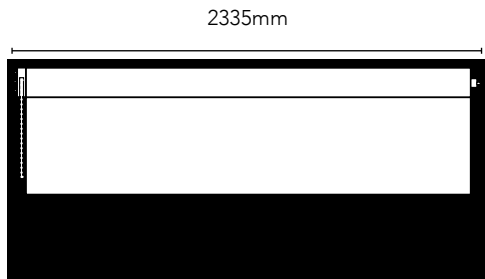
To work out the distance required between each bracket you will need to first measure the fabric width, e.g 2300mm.

Add to this an allowance for the control and idle end of 35mm, e.g = 2335mm.

2335mm would be the measurement from the outside of one bracket to the outside of the other bracket. (fig. 2)

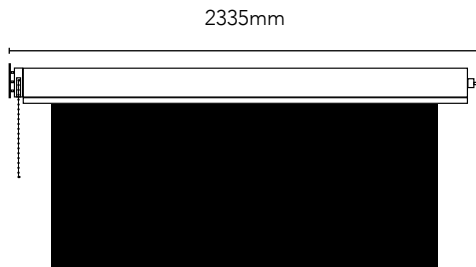


Use this figure to position the outside of your brackets accordingly whether inside or outside of the recess (fig. 3) or outside of the recess (fig. 4)



Inside the recess

fig. 3



Outside the recess

fig. 4

Mark the hole positions before drilling and plugging if necessary. Use two screws in each bracket ensuring that the brackets are level. Remember to allow room for the blind to clear any obstacles when deployed, e.g. door or window handles.

NOTE: Please make sure when installing your blind that the idle end plunger is depressed by a minimum of 4mm into the bracket. This is essential for smooth roller blind operation

FITTING THE BLIND.

Once the brackets have been fitted the blind can be inserted into the brackets.

Note – For conventional roller blinds the fabric comes down from the back of the blind and for reverse roll blinds the fabric hangs from the front of the blind.

With the fabric rolled around the tube, offer the idle end (the end with the cross) to the idle end bracket (fig. 4).

With the idle end in place offer the control end to the opposite bracket and secure the blind in place ensuring that the centre lug has dropped into the slot on the bracket (fig. 5).

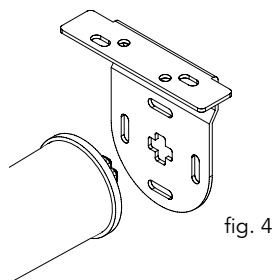


fig. 4

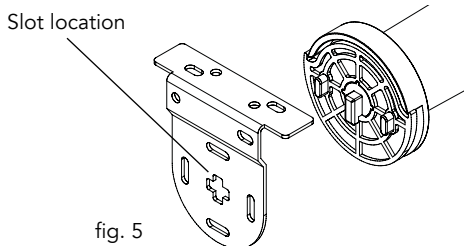


fig. 5

CHILD SAFETY

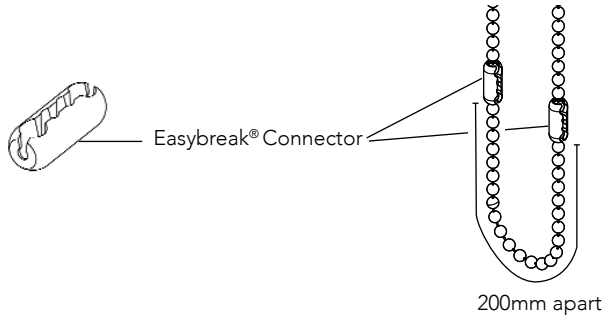
Your blind will be supplied with either Easybreak® connectors attached to the operating chain or a cord tidy that will need to be fitted to the wall.

Easybreak® System

Two Easybreak® connectors are connected to the operating chain 200mm apart. This ensures that at least one of them will be in the vertical position ensuring they perform as required.

If excessive weight is applied within the loop an Easybreak® connector will break apart.

If an Easybreak® connector comes apart then it will need to be re-connected. To re-connect, check the Easybreak® connector for damage. If undamaged, re-connect the chain by inserting the last ball on the end of the chain into the larger hole of the connector and push it into place.

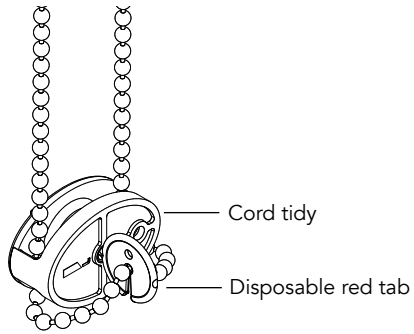


TENSIONED SYSTEM USING CORD TIDY.

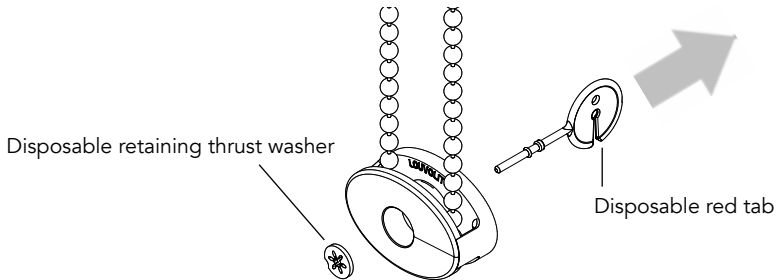
If the blind is fitted with a continuous loop chain then a cord tidy will be attached to the chain. This must be fitted to the wall as follows:

FITTING A SIDE FIX CORD TIDY.

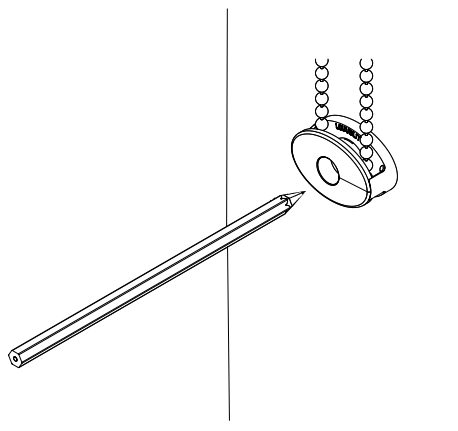
The cord tidy is a two piece device and will arrive with a disposable red tab fitted to it.



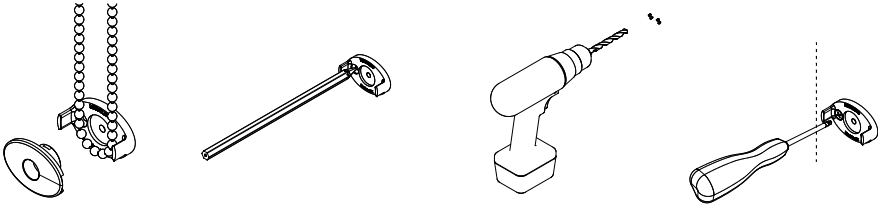
Remove the disposable red tab by disengaging it from the chain and then pull out the disposable red tab.



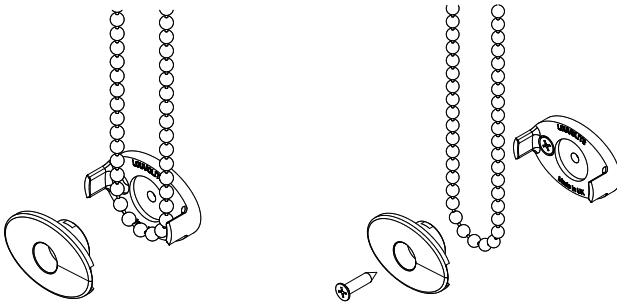
Position the cord tidy to the wall at the furthest distance below the roller tube adding appropriate tension to the chain and mark its location.



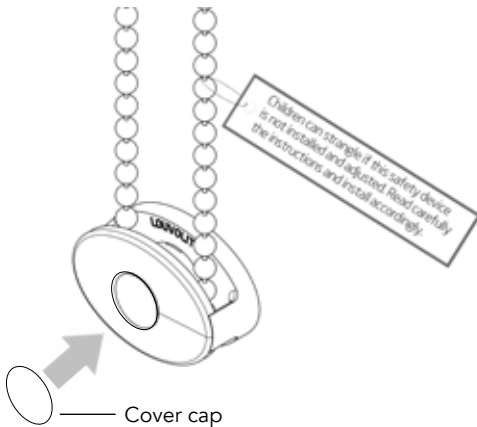
Split the cord tidy and mark the remaining offset hole position before drilling and plugging both location holes if necessary. Screw into the offset hole to fix the back piece of the cord tidy to the wall.



Re-assemble the cord tidy with the chain and fix it in previously marked position with a screw through the centre hole.

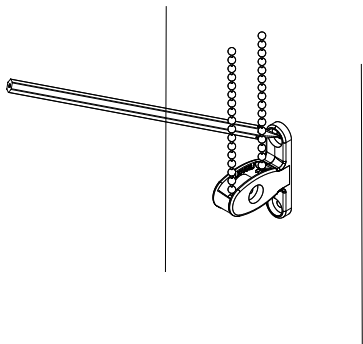


Push fit a cover cap over the screw hole opening.

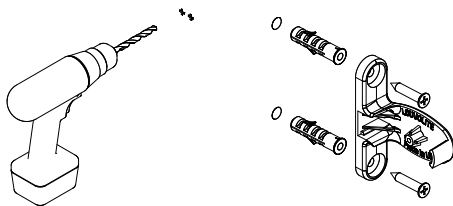


FITTING A FACE FIX CORD TIDY.

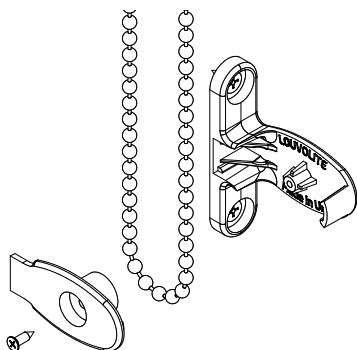
Position the face fix cord tidy to the wall at the furthest distance below the headrail adding appropriate tension to the chain and mark its location.



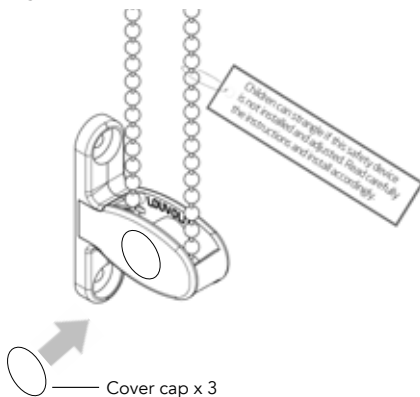
Mark the remaining hole position before drilling and plugging both location holes if necessary.



Attach the cord cover plate with the screw provided.



Push fit a cover cap over the screw hole opening.



OPERATING THE BLIND.

For a conventional roller blind, in order to lower the blind, pull the rearmost length of chain downwards with a smooth and steady pressure. To roll the blind up do the same on the front length of chain.

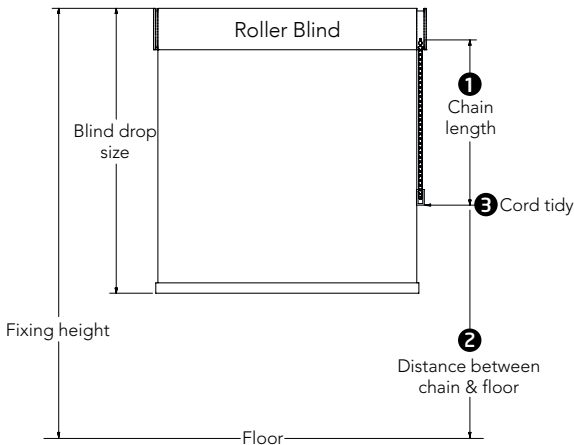
For a reverse roll blind the opposite is true, to lower use the front chain and to raise, use the rear chain.

NOTE TO INSTALLER:

Please ensure a general child safety warning tag is fitted on the product.

Child Safety - BS EN 13120 Guidelines for Roller Blinds

Tensioned System with Cord Tidy



1 If fixing height is unknown

- Blind drop \leq 2.5 metres, the chain length must be \leq 1 metre.
- Blind drop $>$ 2.5 metres, the chain length must be drop of blind minus 1.5 metres.

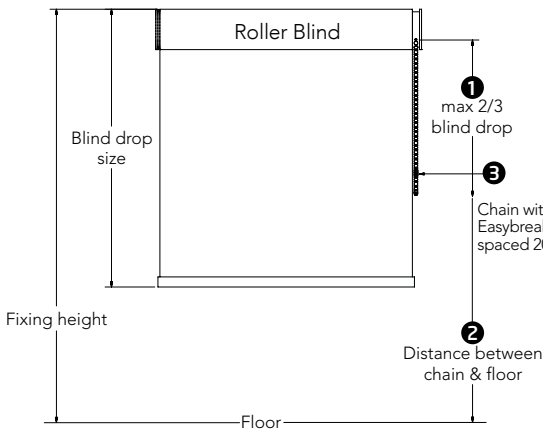
2 If fixing height known

All blind drop sizes, distance between floor and bottom of chain must be greater than 1.5 metres.

3 Cord tidy

Affix a cord tidy to the wall at the maximum distance possible from the blind control mechanism ensuring all operating cords are taut (chain no more than 50mm apart at entry/exit of cord tidy).

Breakaway Connector System



1 If fixing height unknown

- Blind drop \leq 2.5 metres, the chain length must be max 2/3 blind drop.
- Blind drop $>$ 2.5 metres, the chain length must be max 2/3 blind drop.

2 If fixing height known

All blind drop sizes, distance between floor and bottom of chain must be greater than 0.6 metres.

3 Chain must be fitted with 2 x Easybreak connectors 200mm apart

Will break apart when excessive force is exerted on the chain.

NOTE TO INSTALLER: Please ensure general child safety warning tag is fitted on the product.

WARNING

Young children can be strangled by loops in pull cords, chains, tapes and inner cords that operate the product.

To avoid strangulation and entanglement, keep cords out of the reach of young children. Cords may become wrapped around a child's neck. Move beds, cots and furniture away from window covering cords.

Do not tie cords together. Make sure cords do not twist and create a loop.



Also find us on:





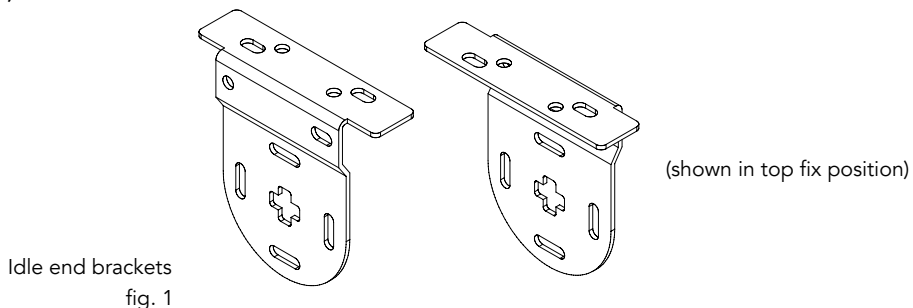
Roller System 45[®]/45+[®] Side Control Fitting & Operating Instructions

Roller System 45®/45+® Side Control Fitting & Operating Instructions

Carefully unwrap the roller blind and its associated brackets.

The brackets are universal and can be fixed in a top, face or side fix position.

Note – For System 45®/45+® the control and idle end brackets are identical (fig. 1).

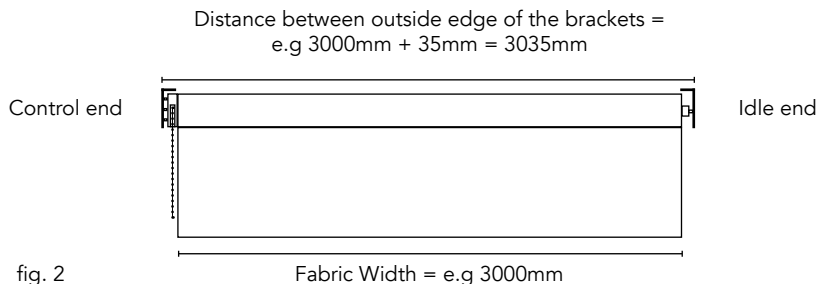


Fitting the brackets.

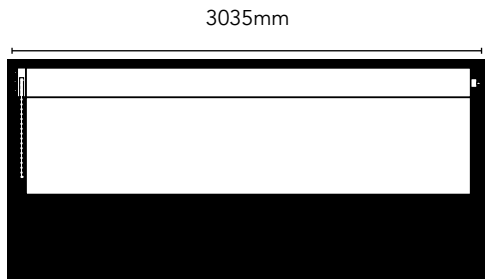
To work out the distance required between each bracket you will need to first measure the fabric width, e.g 3000mm.

Add to this an allowance for the control and idle end of 35mm, e.g = 3035mm.

3035mm would be the measurement from the outside of one bracket to the outside of the other bracket. (fig. 2)

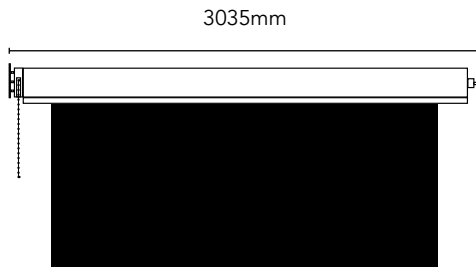


Use this figure to position the outside of your brackets accordingly whether inside of the recess (fig. 3) or outside of the recess (fig. 4)



Inside the recess

fig. 3



Outside the recess

fig. 4

Mark the hole positions before drilling and plugging if necessary. Use two screws in each bracket ensuring that the brackets are level. Remember to allow room for the blind to clear any obstacles when deployed, e.g. door or window handles.

Fitting the blind.

Once the brackets have been fitted the blind can be inserted into the brackets.

Note – For conventional roller blinds the fabric comes down from the back of the blind and for reverse roll blinds the fabric hangs from the front of the blind.

With the fabric rolled around the tube, offer the idle end (the end with the cross) to the idle end bracket (fig. 4).

With the idle end in place offer the control end to the opposite bracket and secure the blind in place ensuring that the centre lug has dropped into the slot on the bracket (fig. 5).

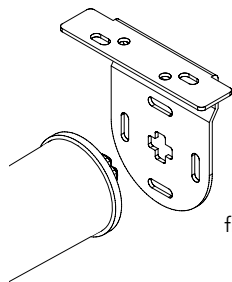


fig. 4

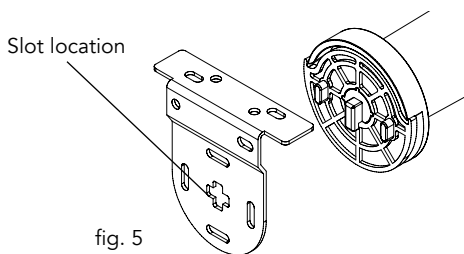


fig. 5

Child Safety

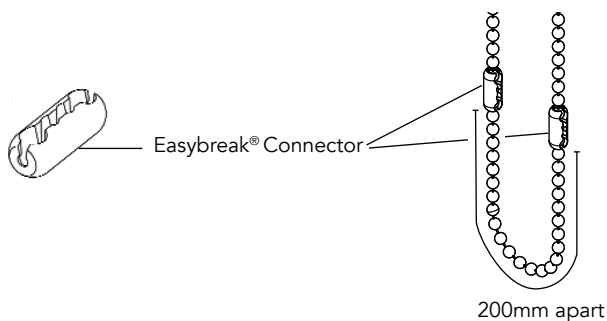
Your blind will be supplied with either Easybreak® connectors attached to the operating chain or a cord tidy that will need to be fitted to the wall.

Easybreak® System

Two Easybreak® connectors are connected to the operating chain 200mm apart. This ensures that at least one of them will be in the vertical position ensuring they perform as required.

If excessive weight is applied within the loop an Easybreak® connector will break apart.

If an Easybreak® connector comes apart then it will need to be re-connected. To re-connect, check the Easybreak® connector for damage. If undamaged, re-connect the chain by inserting the last ball on the end of the chain into the larger hole of the connector and push it into place.

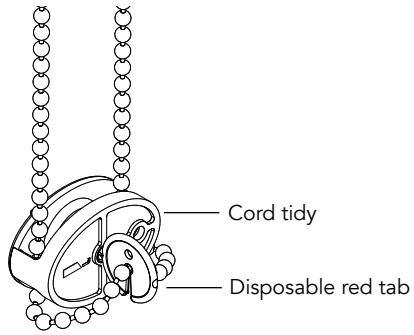


Tensioned System using cord tidy.

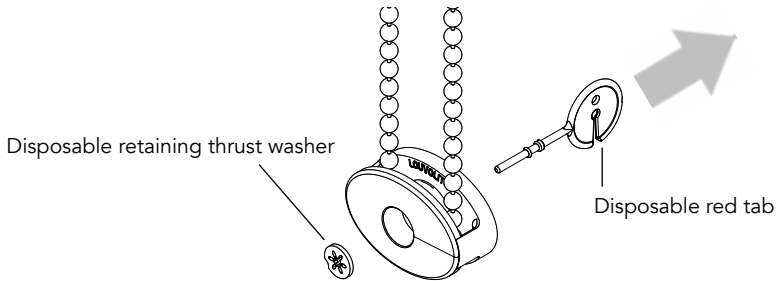
If the blind is fitted with a continuous loop chain then a cord tidy will be attached to the chain. This must be fitted to the wall as follows:

Fitting a side fix cord tidy.

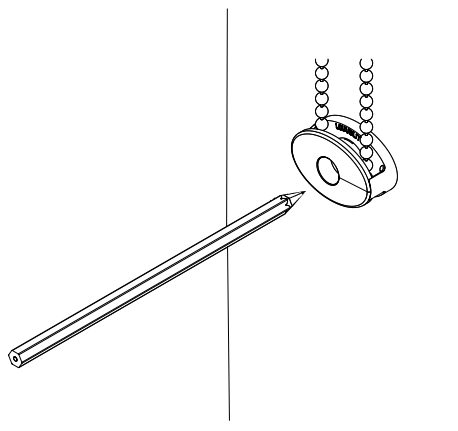
The cord tidy is a two piece device and will arrive with a disposable red tab fitted to it.



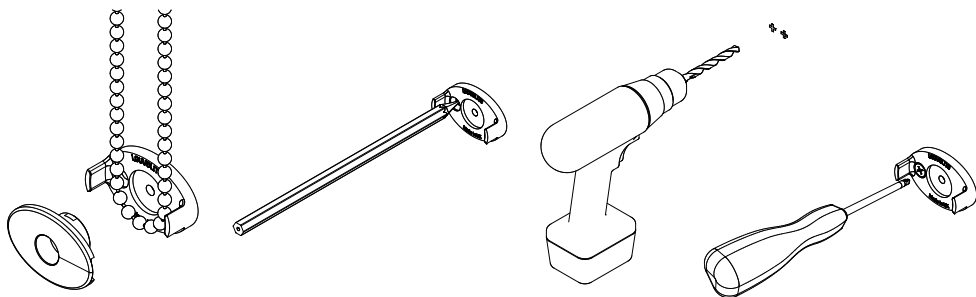
Remove the disposable red tab by disengaging it from the chain and then pull out the disposable red tab.



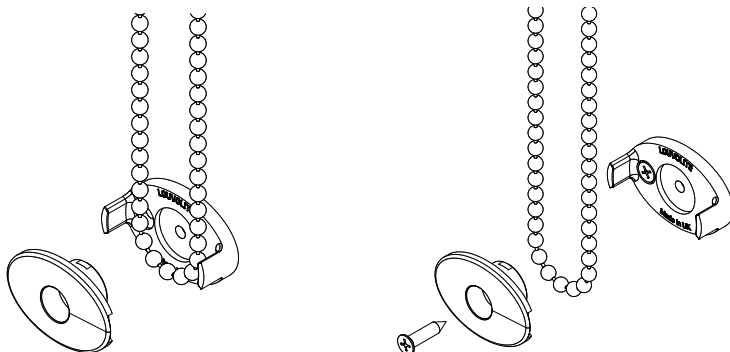
Position the cord tidy to the wall at the furthest distance below the roller tube adding appropriate tension to the chain and mark its location.



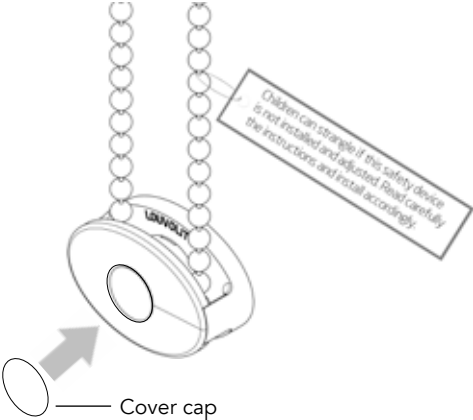
Split the cord tidy and mark the remaining offset hole position before drilling and plugging both location holes if necessary. Screw into the offset hole to fix the back piece of the cord tidy to the wall.



Re-assemble the cord tidy with the chain and fix it in previously marked position with a screw through the centre hole.

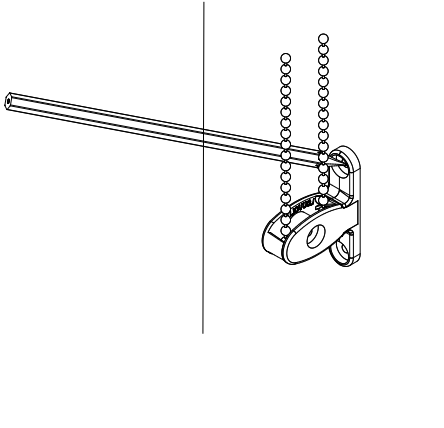


Push fit a cover cap over the screw hole opening.

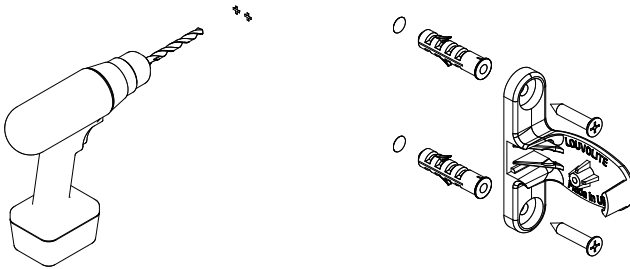


Fitting a face fix cord tidy.

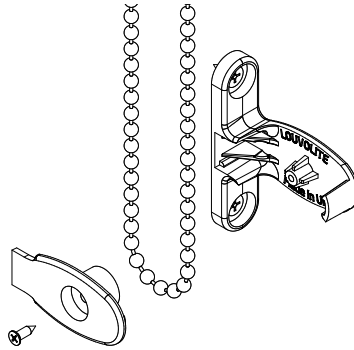
Position the face fix cord tidy to the wall at the furthest distance below the headrail adding appropriate tension to the chain and mark its location.



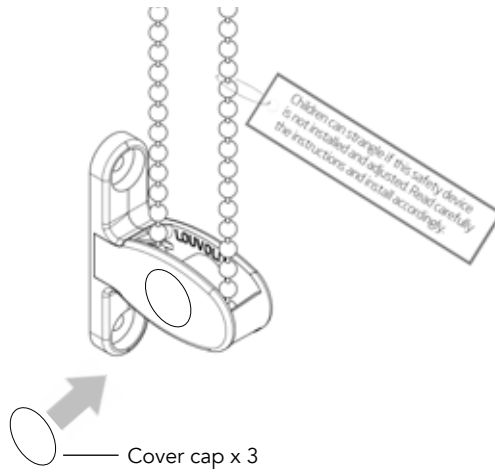
Mark the remaining hole position before drilling and plugging both location holes if necessary.



Attach the cord cover plate with the screw provided.



Push fit a cover cap over the screw hole opening.



Operating the blind.

For a conventional roller blind, in order to lower the blind, pull the rearmost length of chain downwards with a smooth and steady pressure. To roll the blind up do the same on the front length of chain.

For a reverse roll blind the opposite is true, to lower use the front chain and to raise, use the rear chain.

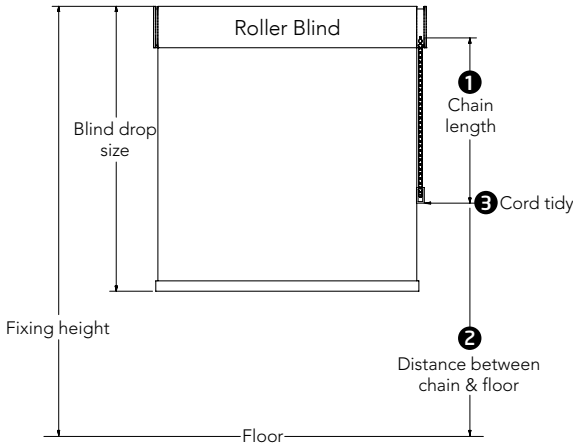
NOTE TO INSTALLER:

Please ensure a general child safety warning tag is fitted on the product.

Notes

Child Safety - BS EN 13120 Guidelines for Roller Blinds

Tensioned System with Cord Tidy

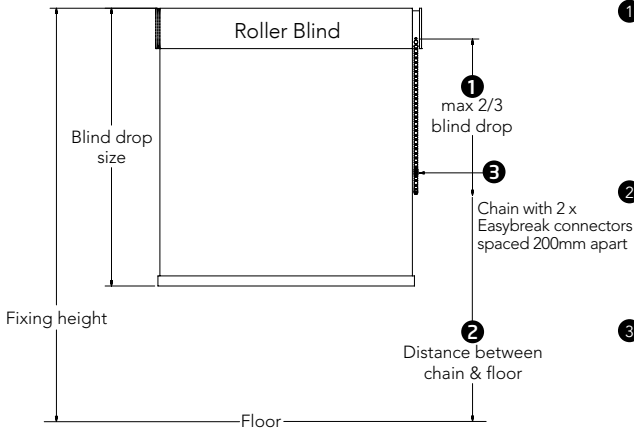


- 1 If fixing height is unknown**
 - Blind drop \leq 2.5 metres, the chain length must be \leq 1 metre.
 - Blind drop $>$ 2.5 metres, the chain length must be drop of blind minus 1.5 metres.
- 2 If fixing height known**

All blind drop sizes, distance between floor and bottom of chain must be greater than 1.5 metres.
- 3 Cord tidy**

Affix a cord tidy to the wall at the maximum distance possible from the blind control mechanism ensuring all operating cords are taut (chain no more than 50mm apart at entry/exit of cord tidy).

Breakaway Connector System



- 1 If fixing height unknown**
 - Blind drop \leq 2.5 metres, the chain length must be max 2/3 blind drop.
 - Blind drop $>$ 2.5 metres, the chain length must be max 2/3 blind drop.
- 2 If fixing height known**

All blind drop sizes, distance between floor and bottom of chain must be greater than 0.6 metres.
- 3 Chain must be fitted with 2 x Easybreak connectors 200mm apart**

Will break apart when excessive force is exerted on the chain.

NOTE TO INSTALLER: Please ensure general child safety warning tag is fitted on the product.

WARNING

Young children can be strangled by loops in pull cords, chains, tapes and inner cords that operate the product.

To avoid strangulation and entanglement, keep cords out of the reach of young children. Cords may become wrapped around a child's neck. Move beds, cots and furniture away from window covering cords.

Do not tie cords together. Make sure cords do not twist and create a loop.



Also find us on:



You
Tube

Louvolute Customer Services Tel: 0161 882 5050 Email: sales@louvolute.com
 Visit the Louvolute website to view the links to all of our assembly instructional videos
 www.louvolute.com