

Premium Skylight Blind

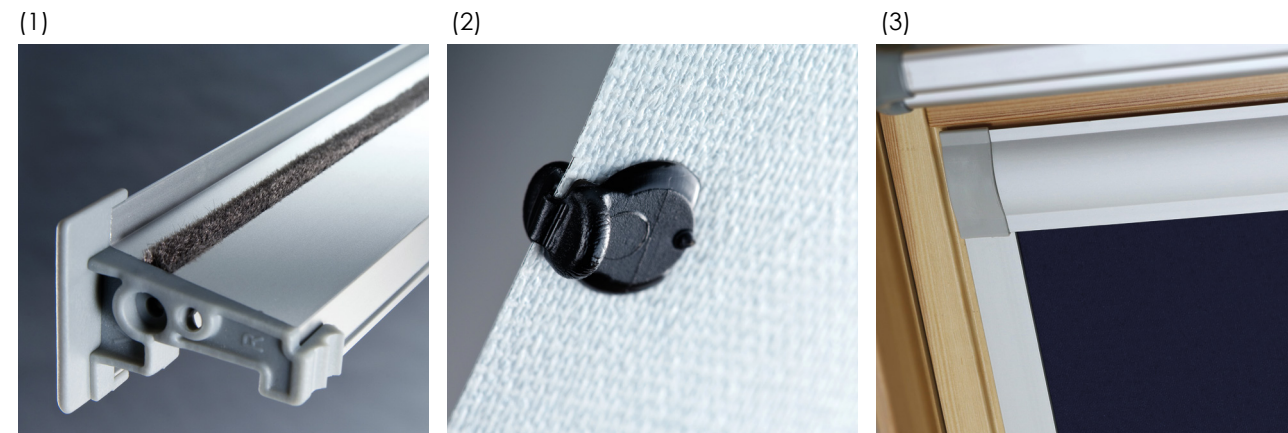


Premium Skylight blinds can enhance the performance of all forms of roof windows. Compatible with all major skylight brands, we can also work with you to engineer custom built blinds for your windows.

Installation of the blind couldn't be simpler: Our four screw system means installation is easy and mess free.

Our skylight blinds are suitable for the following window types:

- VELUX®
- DAKSTRA®
- DAKEA®
- FAKRO®
- BALIO®
- ROOFLITE®
- ROTO®
- KEYLITE®
- OPTILIGHT®



We incorporate a number of specially developed features that make our skylight blinds superior to others on the market. (1) Brush seals create a barrier between the blind and the window frame, blocking out light and

reducing heat loss. (2) Clips are attached to the fabric to ensure the blind stays securely within the runners at all times. (3) The fabric is completely enclosed, reducing fading and significantly extending the life of the fabric.

Frame Colour Options

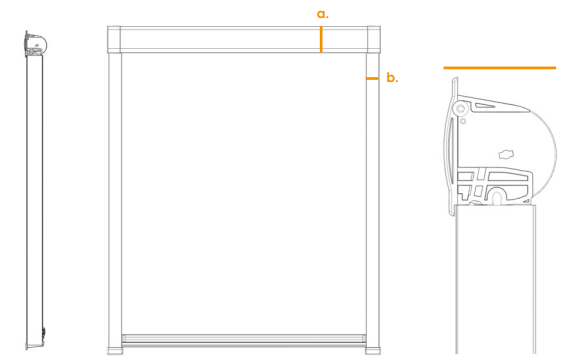


Anodised Silver
RAL AA15 Natural Finish

Product Specification

Roller Tube	Aluminium
Frame Colour	Anodised Silver / White / Cream
Control	Spring
Fabric Position	Reverse Roll
Sizes	All Manufacturers Codes
Manufacture for	Velux® Roof Windows, Dakstra®, Fakro®, Okpol®, Roof Lite®, Roto®, non standards, others.

Product Dimensions



a. Cassette Height	60mm
b. Frame Width	31mm
c. Cassette Depth	52mm

Operation, Care and Maintenance

Operation

Operation of the blind is through a spring system operated by the handle at the bottom of the blind. The blind simply pulls down through the side channels locking whenever the handle is released. The handle is then pushed in towards the window releasing the lock which enables the spring to retract the fabric. It complies fully with all relevant child safety standards.

Care Instructions

We are all very proud of our stunning Skylight Blinds. To keep them looking their best for years to come, always ensure that your skylight blinds have been securely fitted, use a synthetic or feather duster and refrain from using soap and water. Should any part of the blind fail contact our dedicated Customer Service team who can help.

Maintenance

All our Skylight Blind components are manufactured using aluminium and glass reinforced nylon. They do not present any corrosion problems in normal environments. The system has been designed for smooth operation, together with rigidity to prolong the window blind's working life. Manufacturing and installation guidelines for the size restrictions for each type of installation are included in this specified brochure.

Child Safety

Being a family run business, we know the importance of safety in a home. That's why every one of our designs is guided by our own 'Safe by Design' principles and fully comply with the latest European directives. The Premium Skylight blind has no cords or chains and consequently is Safe by Design.

