

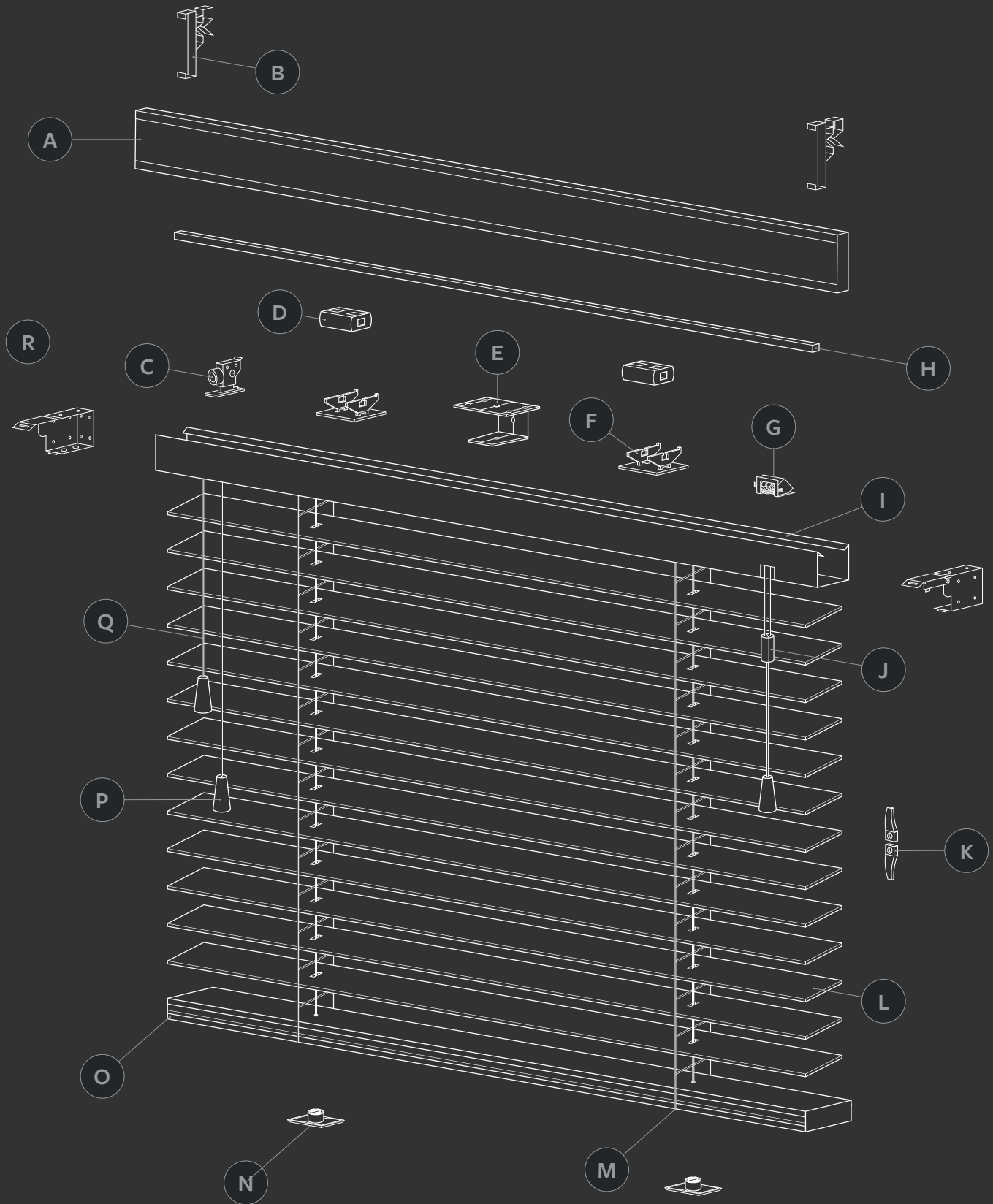
STARWOOD

VENETIAN BLINDS

PRODUCT
SPECIFICATION

V4

STARWOOD® VENETIAN BLIND - EXPLODED VIEW



- | | | | | | |
|---|------------------------|---|----------------------|---|-------------------|
| A | Valance | G | Cord Lock | M | Ladder Cord |
| B | Valance Clip | H | Tilt Rod | N | Bottom Bar Button |
| C | Tilter | I | Head Rail | O | Bottom Bar |
| D | Tape Roll | J | Cord Condenser | P | Tassel |
| E | Center Support Bracket | K | Two-Piece Cord Cleat | Q | Cord |
| F | Tape Roll Support | L | Slat | R | End Bracket |

STARWOOD VENETIAN BLINDS SPECIFICATION

Slat Width	Tape Widths Available
35mm	25mm
50mm	25mm

COLOURS & DEFAULT TAPE COMBINATIONS

Slat Colour	Default Tape
Glacier	Arctic
Divine	Linen
Marlin	Solis
Pavilion	Shadow
Empire	Dusk
Volt	Smoke
Soho	Canvas
Bali	Husk

Stained ends available with a surcharge. Colour matched and alignment not available.

COLOUR COORDINATION

- All parts of the blind are colour coordinated.
- The headrail, bottom bar buttons and cord condenser are colour co-ordinated PVC.
- Slats, valance, bottom bar and tassels are all colour matched wood.
- Cords and ladder braid are colour matched to the wood colour.
- 50mm available in 8 colours
- 35mm available in 2 colours - Divine and Glacier

TAPES

Starwood with tapes come as standard with co-ordinating tape option. See recommended tape matches above. Herringbone Weave tapes are the standard tape default:

- 25mm tape for 35mm slat
- 25mm tape for 50mm slat

Each Starwood colour has a Decora recommended tape option which co-ordinates with the slat colour. Non-standard tape colours are available with a surcharge (please note the default tape width on a 50mm slat is 25mm). Please contact customer services for more information on default tapes.

DIMENSIONS OF STARWOOD HEADRAIL

	35mm	50mm
Width	42mm	59mm
Height	42mm	42mm

MINIMUM AND MAXIMUM WIDTHS AND DROPS

Minimum Width	290mm
Minimum Drop	150mm
Maximum Width	2400mm
Maximum Drop	2500mm

Wholesale Box Blind Drop 1350mm

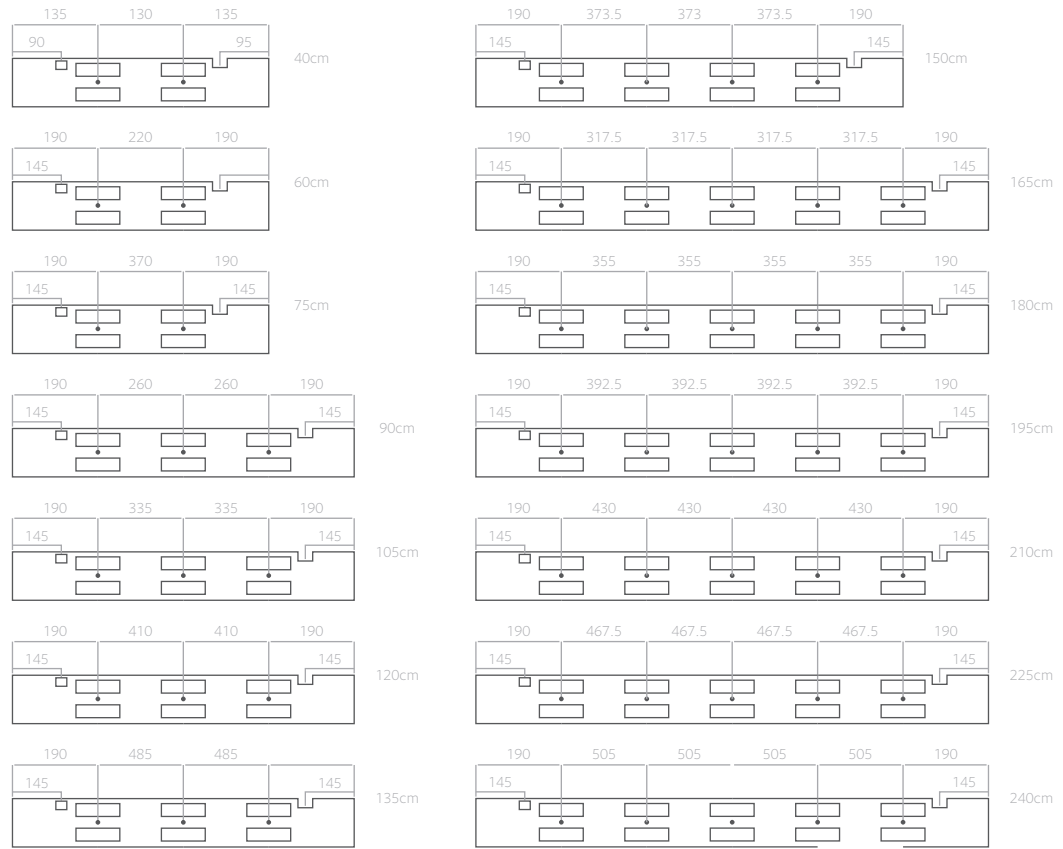
NUMBER OF LADDERS PER BLIND

No. of Ladders	Width of Blind (35mm Slat)	Width of Blind (50mm Slat)
2	400 - 750	290-900
3	751 - 1350	901-1350
4	1351 - 1500	1351-1650
5	1501 - 2400	1651-2400

On blinds over 1800mm steel inserts are added to provide extra support to headrail.

35MM

Starwood headrail
punch positions



50MM

Starwood headrail
punch positions

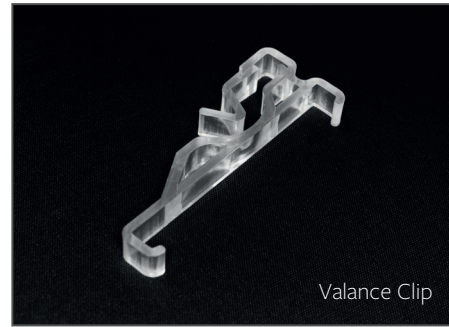


VALANCE

- Plain Finish, no mitre.
- Single Return Supplied with one mitred return
- Double Return Supplied with two mitred returns.
- Uncut oversize 35mm.

CONTROLS

Raise Control Right hand raise, Tilt Control left hand.



VALANCE LENGTH PLAIN FINISH

Valance will be 12mm longer than the headrail of the blind.

VALANCE LENGTH WITH RETURN

- Valance with double return will be 14mm longer than headrail of blind.
- Valance with single return will be 13mm longer than headrail of blind

Valance returns will be available as an added extra on MTM blinds only.

Valance returns with a surcharge
Glued Valance Returns with a surcharge

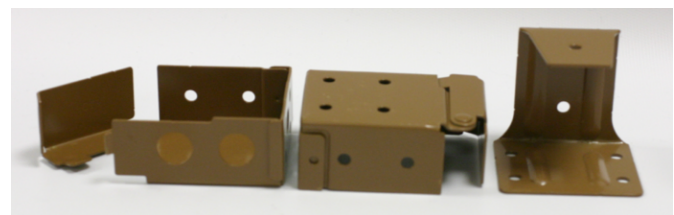
TASSELS

Tassels will be colour matched to wood as standard.

BRACKETS

Box brackets can be installed using top, end or face fixing methods.

Box Bracket	35mm	50mm deep x 49mm high
	50mm	65mm deep x 47mm high



Box Brackets / Centre Support bracket

NUMBER OF CENTRE BRACKETS PER BLIND

Size (mm)	Centre Bracket
400 - 900	0
1050 - 1350	1
1500 - 1650	2
1800 - 2400	3

STAINING SLAT ENDS

Slat ends are not stained as standard. Available with a surcharge

STACK HEIGHT

The stacking height refers to the measurement from top to bottom when the blind is fully pulled up. These stacking heights should be treated as advice only. There is a slight variance in the slat thickness and in how the slats pack with the ladder therefore each individual blind will be different.

Blind Drop (mm)	35mm Slat Stack Height (mm)	50mm Slat Stack Height (mm)
500	115	105
750	145	130
1000	170	145
1250	195	170
1500	220	190
1750	245	210
2000	270	230
2250	300	250
2500	325	270
2750	350	290
3000	375	310

CHILD SAFETY

All Starwood Venetian Blinds are child safe compliant. All 35mm/50mm blinds come with a Breakaway Cord Condenser & 2-piece Cleat. The cord condenser is designed to consolidate the pull cords into one string and to break away, stopping any loops from forming. The safety cleat is used to wrap the cord around to keep out of children's reach.

CORD LENGTHS AND INSTALLATION HEIGHTS

- If the installation height is known the distance from the floor to the bottom of the pull cords shall be at least 1675mm, to allow for the 175mm extension of the tilt cords in the closed position.
- If the installation height is not known and the drop of the blind is less than 2.5m, due to the tilt cords extending by 175mm, the maximum cord length allowed is 825mm.
- If the installation height is not known and the drop of the blind is 2.5m or greater, then the cords shall be less than the drop of the blind minus 1675mm.
- Please note, blinds will be manufactured with their default control length provided that this complies with the Child Safety regulations. When large installation heights are provided, the customer must request extended control lengths if required.



Blind Type	Minimum Control Length (mm)	Deduction made when installation height provided (mm)	Minimum Installation Height (mm)
35/50mm Starwood Venetian Blinds	250	1675	1925

STARWOOD

VENETIAN BLINDS