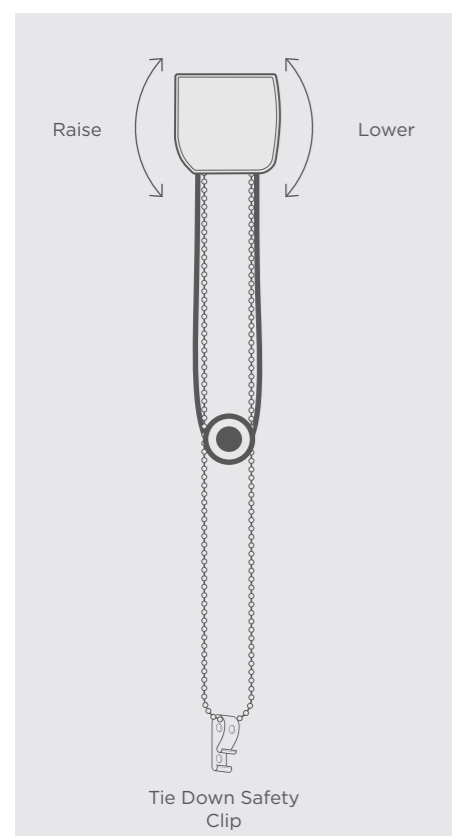


PLEASE READ THE INSTRUCTIONS BEFORE OPERATING THIS PRODUCT

OPERATION

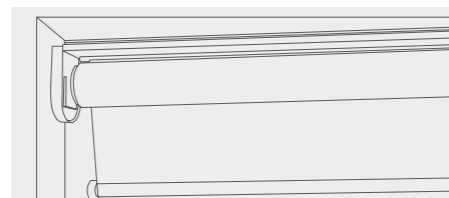
1. To lower the fabric gently pull the operating chain closest to the window.
2. To raise the fabric gently pull the operating chain furthest from the window.



TROUBLESHOOTING

Rippled Fabric

If there is a ripple in the fabric, check the blind is installed horizontally (use a spirit level) and check the fabric is centred in the headbox

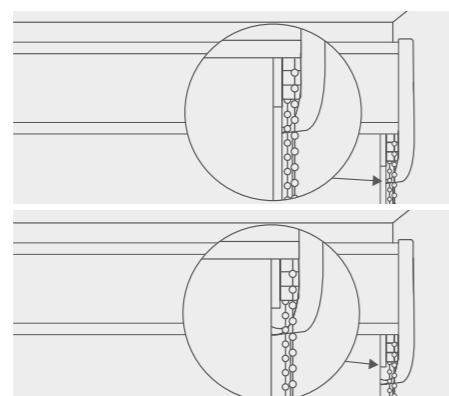


If the blind is installed at an angle, insert packers in the window recess to ensure the recess is straight and the brackets are level.



Fabric Alignment

If the fabric edges are not aligned on the blind, slide the fabric that is attached to the headrail profile left or right so that both fabric edges are correctly aligned.



MAINTENANCE

The product is maintenance free however we recommend that regular visual checks are completed to ensure that no components have been damaged, which could result in operating difficulties and/or cause a safety risk.

If any maintenance is required we recommend that the work is carried out immediately, by a reputable blind company.



make it safeTM

BBSA[®]
BRITISH BLIND & SHUTTER ASSOCIATION



WARNING

Young children can be strangled by loops in pull cords, chains, tapes and inner cords that operate the product. To avoid strangulation and entanglement, keep cords out of the reach of young children.

Cords may become wrapped around a child's neck.

Move beds, cots and furniture away from window covering cords. Do not tie cords together. Make sure cords do not twist and create a loop.



DUO ROLLER BLINDS

v1

FITTING INSTRUCTIONS

YOU SHOULD HAVE

ONE OF THE FOLLOWING BRACKET SETS

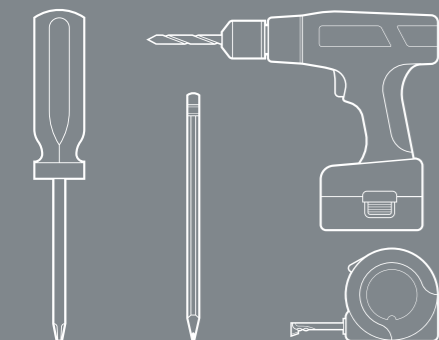
- Cassette Top Fix Brackets (standard default bracket)
- Cassette Top Fix Extension Brackets
- Cassette Face Fix Brackets
- Cassette Face Fix Extension Brackets

SAFETY DEVICES

- P Clip

TOOLS REQUIRED

- Screwdriver
- Pencil
- Power-Drill
- Tape Measure



STEP 1

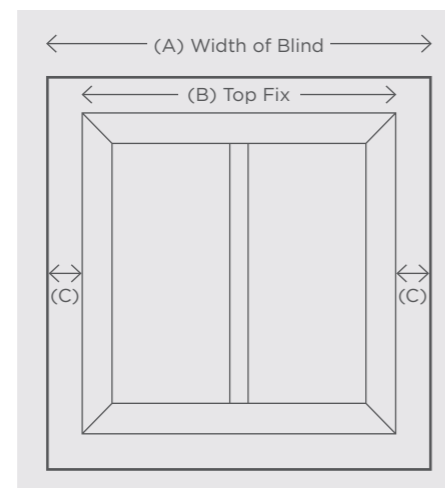
THE INSTALLATION OF THIS PRODUCT SHOULD BE CONDUCTED BY SOMEONE COMPETENT IN DIY.

OUTSIDE RECESS

If the blind is to be fitted outside the window ensure that measurement C is the same. Follow instructions for FACE FIXING. To calculate C $(A-B)/2$.

INSIDE RECESS

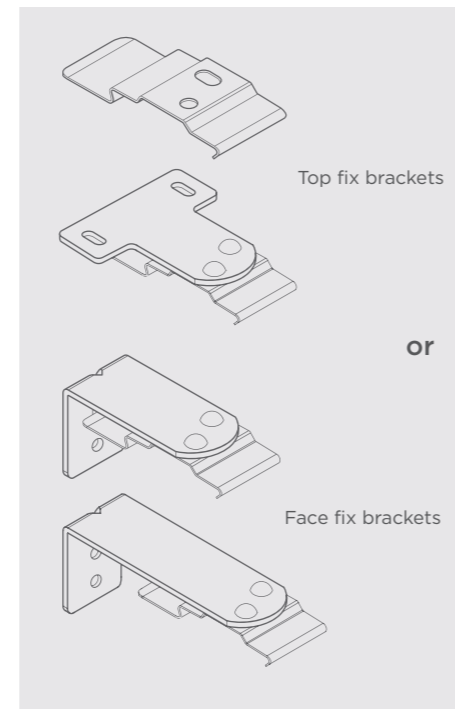
TOP FIX to the lintel. FACE FIX bracket to the window frame.



STEP 2

Carefully unwrap the roller blind and its associated brackets.

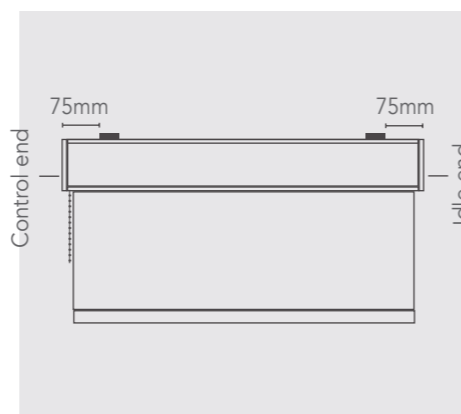
The cassette top fix brackets come as standard with all cassette roller blinds unless alternative brackets were selected during time of ordering.



FITTING THE BRACKETS

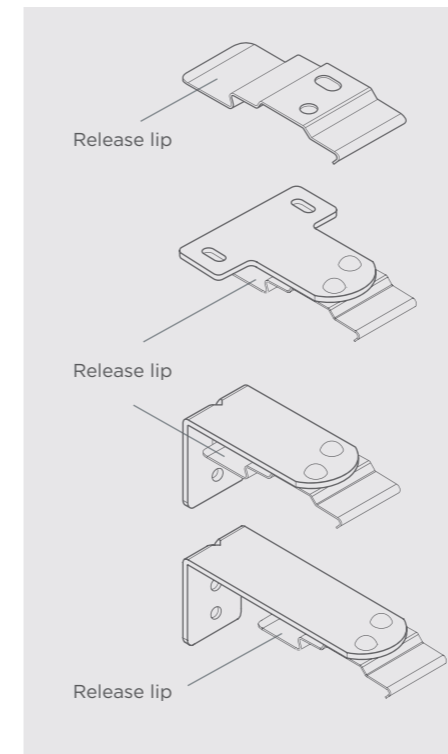
For a blind up to 1 metre wide attach two brackets fitted approximately 75mm (3") from each end of the blind (fig. 1). Any intermediate brackets should be spaced evenly between these and as a general rule:

Up to 1m = 2 brackets
 1m to 2m = 3 brackets.
 2m to 3m = 4 brackets.
 Over 3m = 5 brackets.



STEP 2 (CONTINUED)

The bracket release lip on the bracket must face the back of the blind.

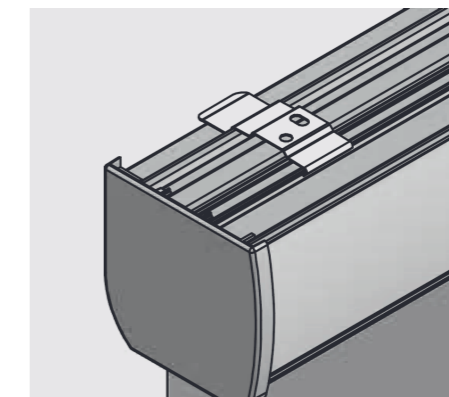
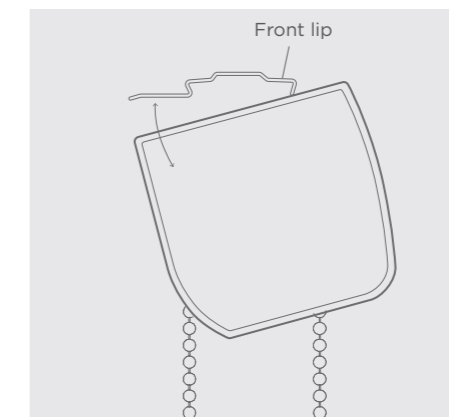


Mark the hole positions before drilling and plugging if necessary. Use two screws in each bracket ensuring that the brackets are level. Remember to allow room for the blind to clear any obstacles when deployed, e.g. door or window handles.

STEP 3

FITTING THE CASSETTE

Once all the brackets are in place offer the blind to the brackets. With the cassette tilted away from you locate the front lip into the bracket and push upwards to click the cassette into the back lip of the bracket.



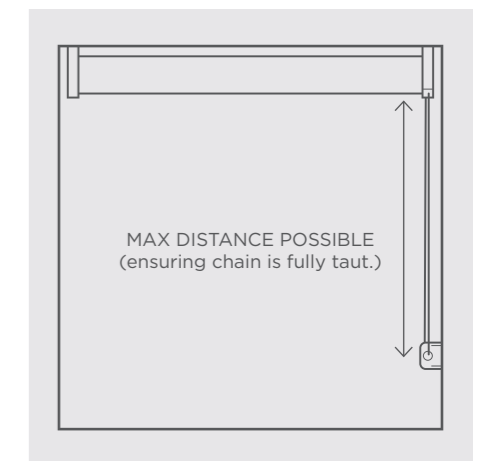
STEP 4

SAFETY DEVICE

The safety device must be installed at the maximum distance possible from the control mechanism to prevent looped chain becoming slack.

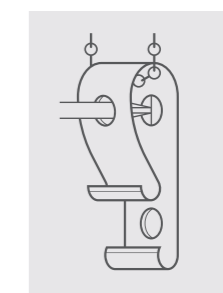
Place the safety device on the wall and mark the positioning of the 2 screw holes.

Drill holes using a suitable drill bit. Place device into position ensuring the chain is fully taut.



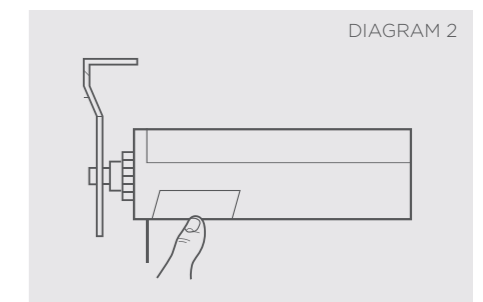
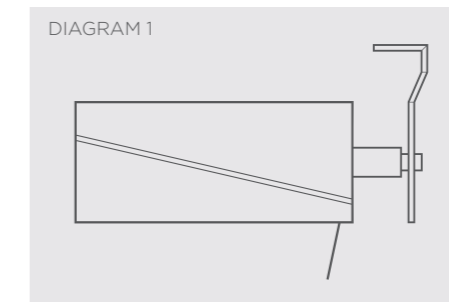
FITTING THE SAFETY DEVICE

Screw the safety device securely to the wall using suitable fixings.



FABRIC RUN-OFF

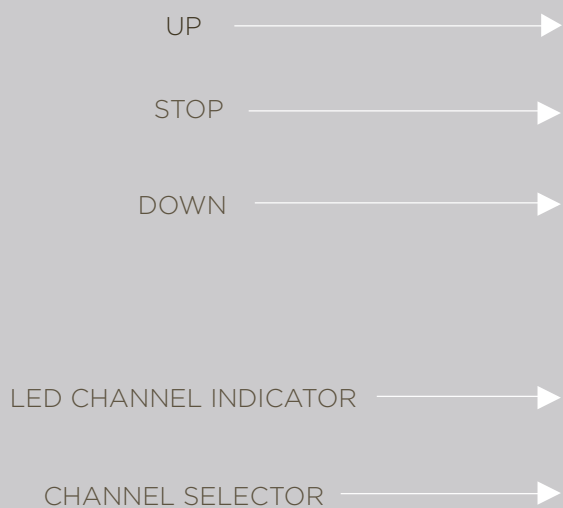
Diagram 1 below shows the fabric running off from the right-hand side of the blind. To correct the run-off, unroll the fabric, place a 25mm piece of sticky tape onto the tube (Diagram 2) at the opposite end of the blind to the run-off. Fully wind the blind up. Repeat until the fabric is no longer running-off.



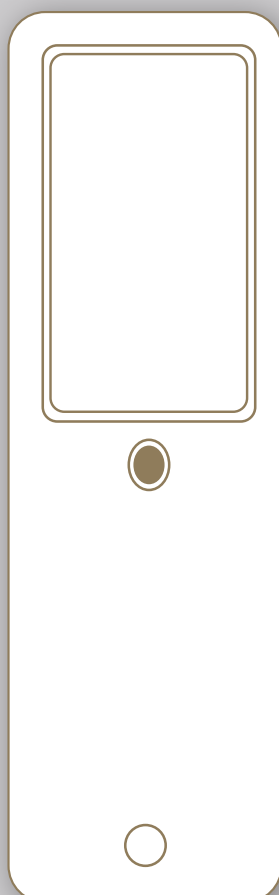
CHILDREN CAN STRANGLE IF A SAFETY DEVICE IS NOT INSTALLED. ALWAYS USE A SAFETY DEVICE TO KEEP CORDS AND CHAINS OUT OF REACH OF CHILDREN.

OPERATING YOUR CRUZE REMOTE

4 CHANNEL RTS REMOTE



FRONT



← PROGRAMMING BUTTON

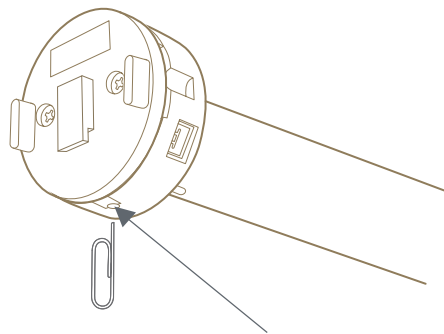
BACK



ATTENTION!

In order to protect your blind during transit, the motor has been placed in sleep mode, prior to installation please wake the motor up by following the below instruction;

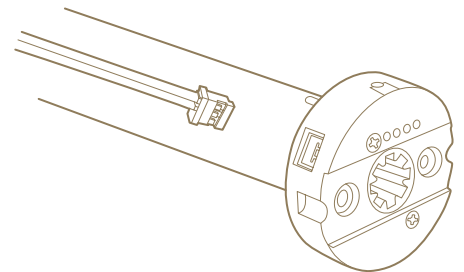
**Press the programming button on the motor head for 1 second the blind will jog once confirming it is now awake.
If blind does not wake place on charge.**



PROGRAMMING BUTTON

Charge the battery by connecting the charger to the motor. Charging will take up to 5 hours.

	LED Illuminates	Behaviour
	Solid Red LED	Charging
	Green LED blinks twice every 10 secs	Charging is near completion
	Solid Green LED	Charging is complete



Ensure the battery is fully charged prior to installation of the blinds on-site.



Wiring Precaution

To ensure electrical safety the motor must be powered by a SELV, voltage source (Safety Extra Low Voltage).



Attention

Use only the power charge model DSC090 130065B-3 supplied to charge the battery pack.

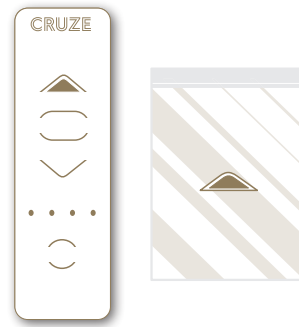
OPERATING THE BLIND

The remote and blind should arrive paired and the lower and upper limits on the blind will be pre-set. You can operate the blind immediately, or if you wish to adjust the limits please follow the limits adjusting instructions in the programming section.

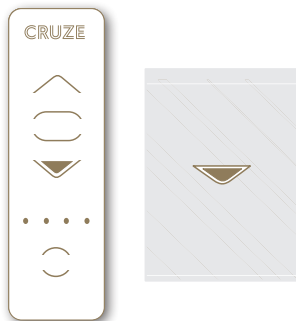
1. To change channel press the **CHANNEL SELECTOR** to select the desired channel. (Channel indicator will briefly be lit).



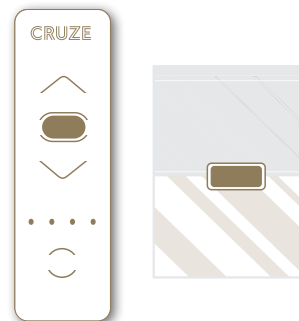
2. Briefly press the **UP** button to move to the upper limit.



3. Briefly press the **DOWN** button to move to the lower limit.



4. Briefly press the **STOP** button to move to the intermediate limit (favourite position).

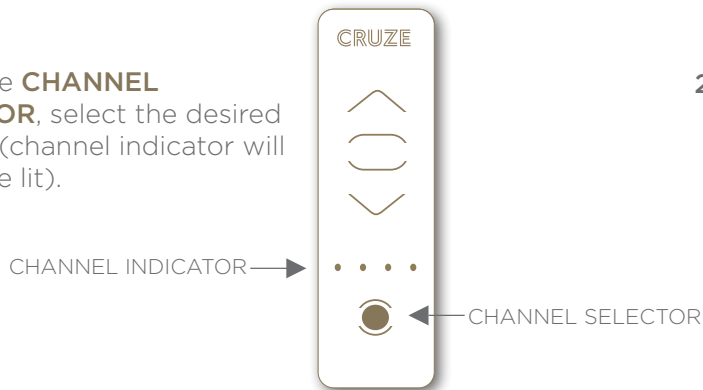


ADJUSTMENTS TO PRE-PROGRAMMED MOTOR

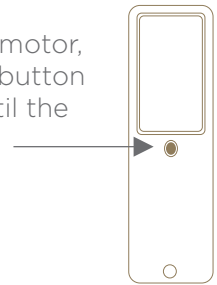
If the motor does not respond to the remote, the motor will need to be reconnected. To do this make sure the motor is awake, hold the programme button on the motor head for 2 jogs, next press the programming button on the back of the remote. The remote should now be connected and you can proceed to programming the motor.

PAIRING THE FIRST REMOTE

1. Using the **CHANNEL SELECTOR**, select the desired channel (channel indicator will briefly be lit).



2. Upon waking the motor, press **PROGRAM** button on the remote until the blind jogs.



PAIRING A SECOND REMOTE

Note: When pairing a remote, ensure you have selected the correct channel in which you wish to operate the blind on.

1. Using a paperclip or pen, press and hold the **PROGRAM** button on the original remote until the blind jogs once.

ORIGINAL REMOTE



Press for 1 sec

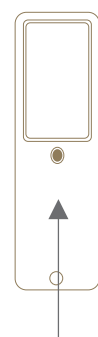
ORIGINAL REMOTE



NEW REMOTE



NEW REMOTE



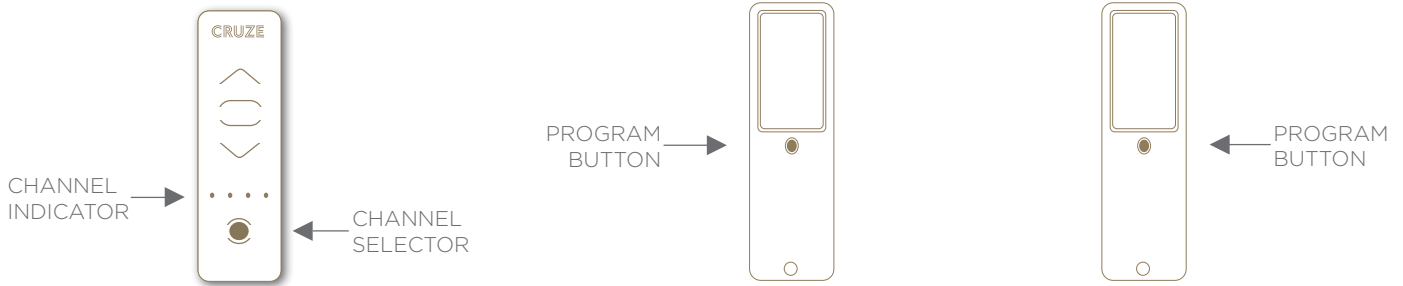
Press for 3 secs

2. Using a paperclip or pen, press the **PROGRAM** button on the new remote until the blind jogs once. New remote is now added to the memory and can be used to operate the blind.

ADJUSTMENTS TO PRE-PROGRAMMED MOTOR

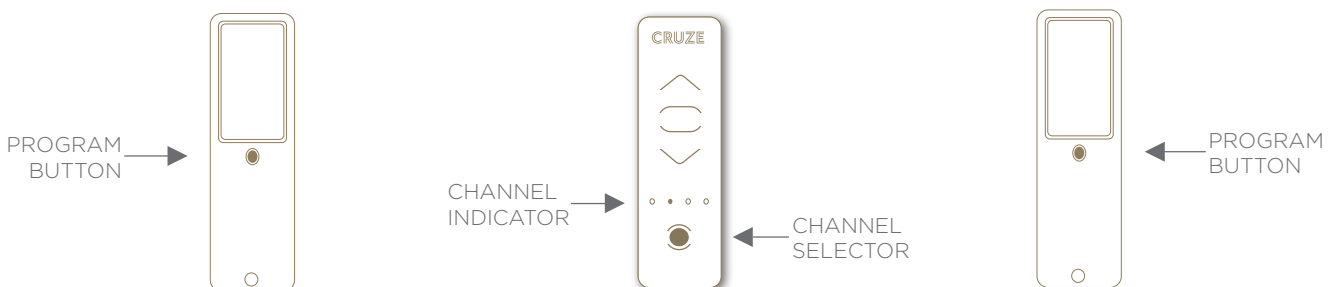
ADDING A CHANNEL

1. Select the desired channel you wish to duplicate by momentarily pressing the **CHANNEL SELECTOR** button on the multichannel remote.
2. Using a paperclip or pen, press and hold the **PROGRAM** button on the remote until the blind jogs once.
3. Select the new channel and press the **PROGRAM** button on the remote until the blind jogs once. Additional (new) channel is now added to the motor memory and can be used to operate the blind.



DELETING A CHANNEL

1. Using a paperclip or pen, press and hold the **PROGRAM** button on the remote until the blind jogs once.
2. On the remote select the desired channel to be deleted.
3. Press the **PROGRAM** button on the remote until the blind jogs once. Channel is now deleted from the motor memory and will not operate the blind.



ADJUSTMENTS TO PRE-PROGRAMMED MOTOR

Before operating the remote, ensure the correct channel is selected.

ADJUSTING THE MOTOR ROTATION DIRECTION

1. Press the **UP** or **DOWN** on the remote to move the blind away from the end limits.
2. Press and hold the **UP** and **DOWN** buttons simultaneously until the blind jogs.
3. Press the and hold **STOP** button until the blind jogs, the rotation direction is now reversed.
4. Press the **UP** button to check the new rotation direction.



ADJUSTING UPPER LIMIT

1. Briefly press the **UP** button. Blind will move to pre-set upper limit.
2. Press and hold the **UP** and **DOWN** button until the blind jogs.
3. Press and hold the **UP** or **DOWN** button to move the blind to the new upper position.
4. To confirm the new position press and hold the **STOP** until the blind jogs. The new upper limit is now added to the memory.



ADJUSTMENTS TO PRE-PROGRAMMED MOTOR

ADJUSTING LOWER LIMIT

1. Briefly press the **DOWN** button. Blind will move to pre-set upper limit.
2. Press and hold the **UP** and **DOWN** button until the blind jogs.
3. Press and hold the **UP** or **DOWN** button to move the blind to the new lower position.
4. To confirm the new position press and hold the **STOP** until the blind jogs. The new lower limit is now added to the memory.



SETTING INTERMEDIATE LIMIT (FAVOURITE POSITION)

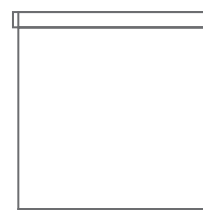
Note: The intermediate limit is optional and has not been pre-set.

1. Move the blind to the desired intermediate limit using the **UP** or **DOWN** buttons.
2. Briefly press the **STOP** button to stop at the desired position.
3. Press and hold the **STOP** button until the blind jogs, the intermediate limit is now memorised, and the green LED light will flash 5 times.



SPEED ADJUSTMENT MODE

1. Press the **UP** or **DOWN** button on the remote to move the blind away from the end limits.
2. Press and hold the **UP**, **STOP** and **DOWN** buttons simultaneously until the blind jogs once.
3. The blind will jog in 10 second cycles until it enters into speed adjustment mode.



ADJUSTMENTS TO PRE-PROGRAMMED MOTOR

Note: To increase or decrease the motor speed, you must first enter speed adjustment mode.

INCREASING THE MOTOR SPEED

1. Press and hold the **UP** button until the blind jogs, repeat as needed. The maximum setting has been reached when the blind briefly moves 3 times in one direction and three times in the opposite direction.



DECREASING THE MOTOR SPEED

1. Press and hold the **DOWN** button until the blind jogs, repeat as needed. The minimum setting has been reached when the blind briefly moves 3 times in one direction and three times in the opposite direction.



CONFIRMING NEW SPEED SETTINGS

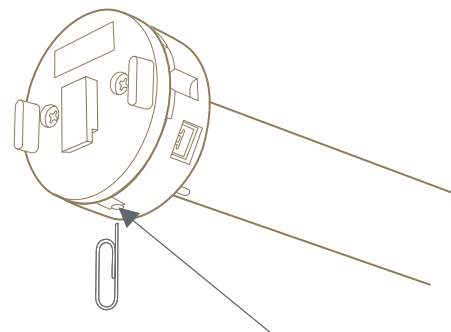
1. Press and hold the **STOP** button until the blind briefly jogs.



RESTORE TO FACTORY SETTINGS

1. To delete all previous settings: Using a paperclip, press and hold the **PROGRAM** button, located on the top of the motor casing, until the blind jogs 3 times (approx. 12 seconds).

**All remotes and limits will be erased from the motor memory. Motor is now reset to factory mode.*

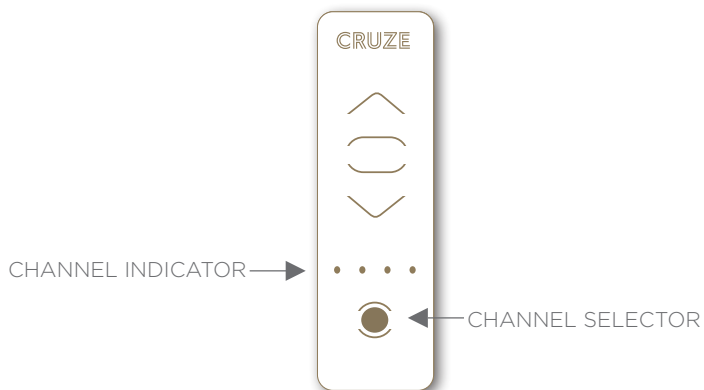


PROGRAMMING BUTTON

PROGRAMMING INSTRUCTIONS

PAIRING A REMOTE WITH THE MOTOR

1. Once unprogrammed motor has been woke, select the desired channel by pressing **CHANNEL SELECTOR** on remote (channel indicator will briefly be lit).



2. Press and hold the **UP** and **DOWN** buttons on the remote simultaneously until the blind jogs.



3. To check the correct direction of rotation press the **DOWN** button. If the blind lowers skip step 4 and 5.



4. If the blind rises press and hold **STOP** button until blind jogs.



5. Press the **DOWN** button again to test that the motor direction is correct.



PROGRAMMING INSTRUCTIONS

SETTING UPPER AND LOWER LIMIT

1. Press and hold the **UP** button to move the blind to the desired upper limit. If necessary, adjust the upper limit using the **UP** or **DOWN** buttons.
2. Press the **STOP** and **DOWN** button simultaneously, once the blind begins to move, release the button. The upper limit is now memorized and the green **LED** will flash 5 times. The blind will continue to move down. Press the **STOP** button to stop the blind at your desired lower limit.



3. Press and hold the **DOWN** or **UP** button to move the blind to the desired lower limit.
4. Press the **STOP** and **UP** button simultaneously, once the blind begins to move release the buttons. (The blind will automatically move to the upper limit). The lower limit is now memorized, and the green **LED** light will flash 5 times. Press and hold the **STOP** button until the blind jogs to save the limits.



RECORDING THE REMOTE

1. After pre-setting the end limits, briefly press the programming button on the back of the remote. The motor will jog and the led light will flash green 5 times. The remote is now recorded.

The limits have been pre-set and the remote recorded, the blind can now be operated.

PROGRAMMING MULTIPLE BLINDS

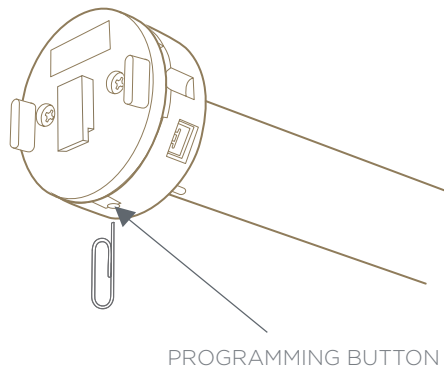
PREPARING FOR TRANSPORT - IF TRANSPORTING BLINDS BEFORE FITTING PUT IN SLEEP MODE.

To programme blinds individually, wake the individual motor up and programme one motor at a time. If programming more than one motor on a multi channel remote, ensure all other motors are in sleep mode whilst programming individual motors.

ACTIVATING TEMPORARY SLEEP MODE

Note: Temporary sleep mode lasts 15 minutes.

1. Press and hold the programming button on the motor head and the blind will jog once, next briefly press the programming button again and the motor will jog twice. The LED will flash orange while the motor is in temporary sleep mode.



ACTIVATING LONG TERM SLEEP MODE

1. Hold the programming button on the motor head, the motor will jog once. On the remote hold the **UP**, **DOWN** and **STOP** buttons simultaneously until the blind jogs twice.

DEACTIVATING SLEEP MODE

1. Press and hold the programming button on the motor head for 1 second, the blind will jog once.

CHECKING THE REMOTE IS PAIRED WITH THE MOTOR

Press the **UP** or **DOWN** button on the remote, if the blind moves the remote is paired. If the blind does not move, follow the pairing a remote instruction.



CRUZE



Decora Blind Systems Ltd Lisburn-BT28 2FL as manufacturer hereby declares that the drive covered by these instructions and used as intended according to these instructions is in compliance with the essential requirements of the applicable European Directives and in particular of the Machinery Directive 2006/42/EC, and the Radio Directive 2014/53/EU.



The full text of the EU declaration of conformity is available at www.cruzehome.co.uk/standards.



Please separate storage cells and batteries from other types of waste and recycle them via your local collection facility.



We care about our environment. Do not dispose of the appliance with usual household waste. Give it to an approved collection point for recycling.

