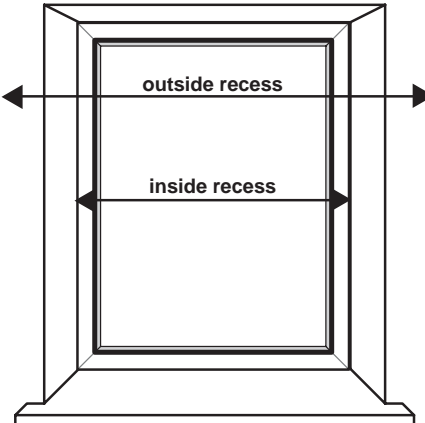


1 During the ordering process, you will have selected either 'inside recess' or 'outside recess' measurement's.

outside recess - follow face fix instructions

inside recess - follow top fix instructions or face fix instructions



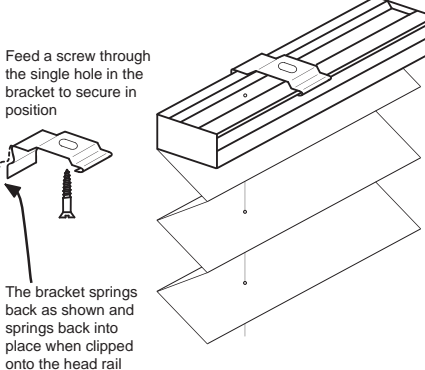
2 Top Fix

Pleated blinds fitted to the ceiling or window lintel require two or more **top fix** brackets depending on the length of the blind.

Each bracket is spring loaded and is secured using one screw per bracket.

Feed a screw through the single hole in the bracket to secure in position

The bracket springs back as shown and springs back into place when clipped onto the head rail



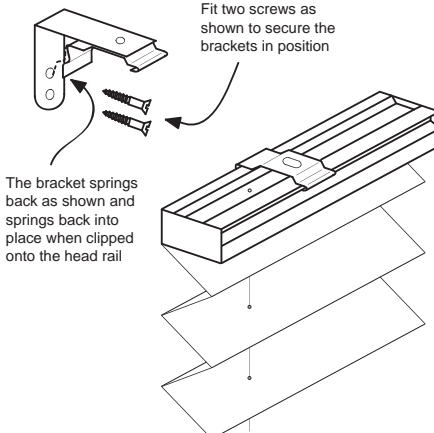
3 Face Fix

Pleated blinds are fitted to the ceiling or window lintel using two or more brackets depending on the length of the blind.

The bracket is spring loaded and is secured to a surface using one screw per bracket.

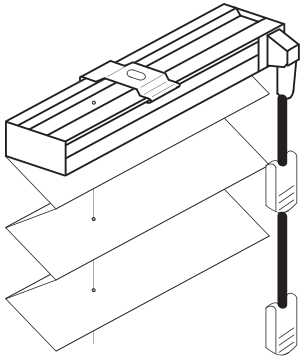
Fit two screws as shown to secure the brackets in position

The bracket springs back as shown and springs back into place when clipped onto the head rail



4 Control

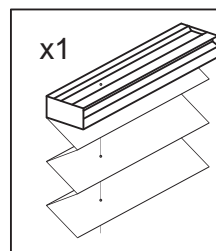
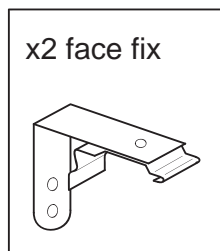
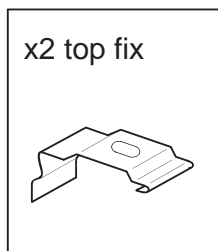
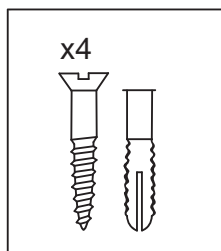
Operated using a pull cord that is equipped with a cord lock to enable the blind to be raised and lowered and set in any position.



5

6

In the box



Tools Suggested

- screwdriver
- drill (5mm)
- pencil
- tape measure
- spirit level