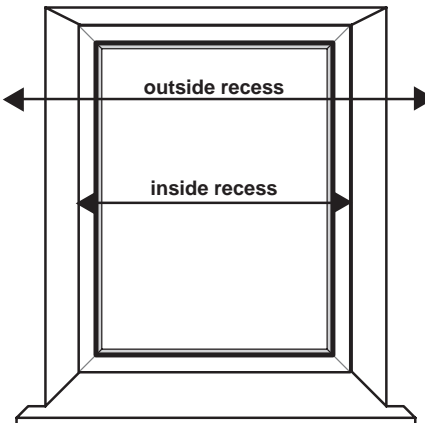


1 During the ordering process, you will have selected either 'inside recess' or 'outside recess' measurement's.

outside recess - face fix brackets

inside recess - top fix or face fix brackets

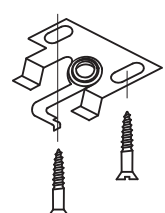


2 Brackets

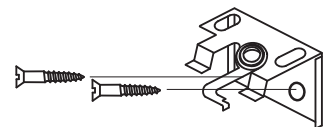
Roman blinds can be fitted to the underside of the lintel or ceiling.

Use two screws to secure each bracket in place, one for each end of the blind. More than two brackets will be supplied if necessary.

swivel bracket
top fix



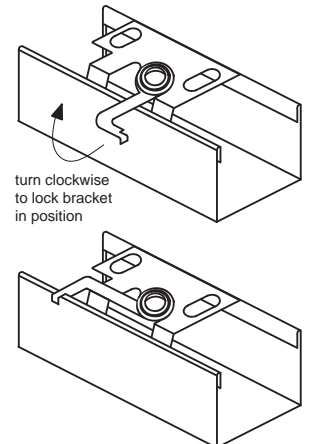
top fix & face



3 Fitting

These brackets can fit anywhere along the blind.

Slide the bracket in to the head rail and then swivel the bracket arm clockwise to lock the blind in position

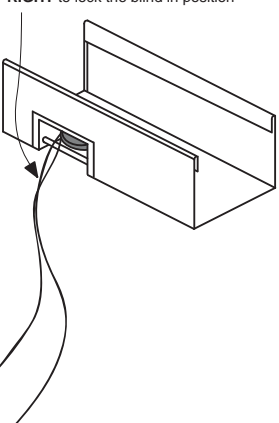


turn clockwise to lock bracket in position

4 Controls

There is a single control for Roman blinds. A cord control lowers and raises the blind. Pull the control to either side to release the blind and again to lock the blind in position

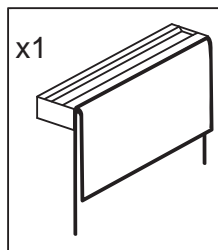
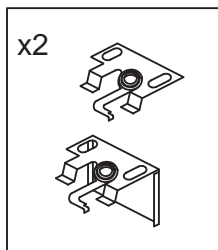
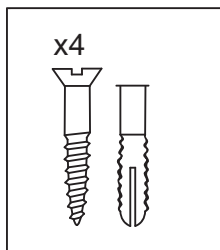
Pull the cords:
LEFT to lower and raise the blind
RIGHT to lock the blind in position



5

6

In the box



Tools Suggested

screwdriver
drill (5mm)
pencil
tape measure
spirit level