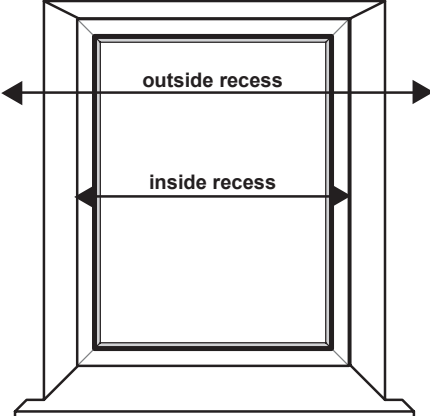


# HOW TO FIT ROMAN BLINDS

**1** During the ordering process, you will have selected either 'inside recess' or 'outside recess' measurement's.

**outside recess** - face fix brackets

**inside recess** - top fix or face fix brackets

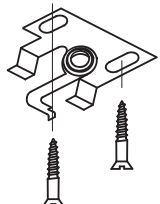


**2** **Brackets**

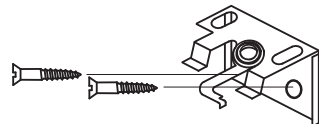
Roman blinds can be fitted to the underside of the lintel or ceiling.

Use two screws to secure each bracket in place, one for each end of the blind. More than two brackets will be supplied if necessary.

**swivel bracket**  
top fix



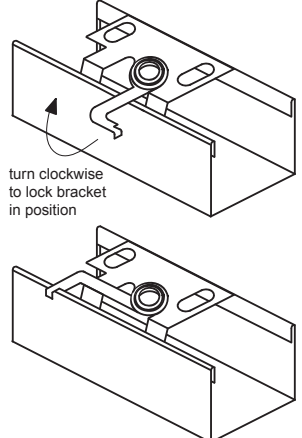
**top fix & face**



**3** **Fitting**

These brackets can fit anywhere along the blind.

Slide the bracket in to the head rail and then swivel the bracket arm clockwise to lock the blind in position

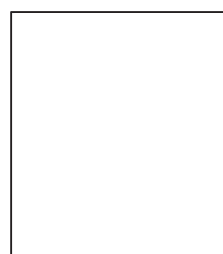
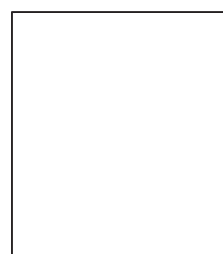
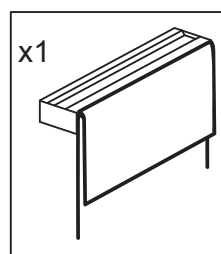
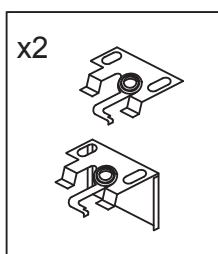
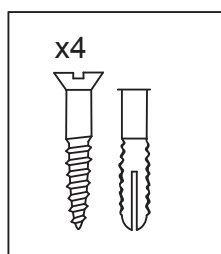


turn clockwise to lock bracket in position

**5** **Controls**

There is a single control for Roman blinds. A cord control lowers and raises the blind. Operate the chain to position the bottom of the blinds to the required position.

## In the box



## Tools Suggested

screwdriver  
drill (5mm)  
pencil  
tape measure  
spirit level