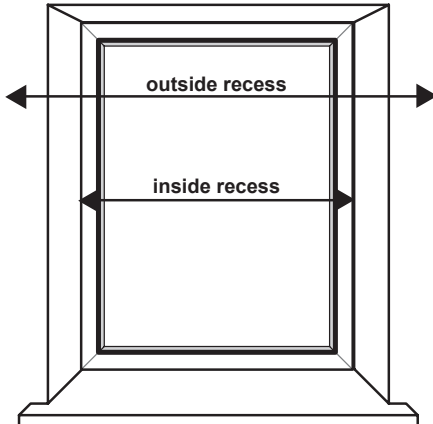


1 During the ordering process, you will have selected either 'inside recess' or 'outside recess' measurement's.

outside recess - face fix brackets

inside recess - top fix or face fix brackets




2 **Brackets**


There are 5 different brackets available for venetian blinds, 2 top fix and three universal brackets (top and face fix).

Follow the instructions for the brackets that you received with your blinds.

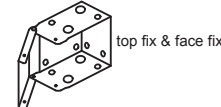
swivel bracket



push-fit bracket



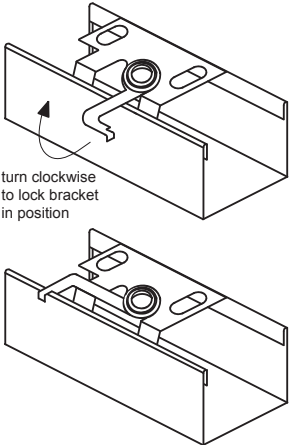
cage bracket



3 **Swivel Bracket**

These brackets can fit anywhere along the blind.

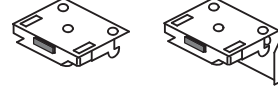
Slide the bracket in to the head rail and then swivel the bracket arm clockwise to lock the blind in position



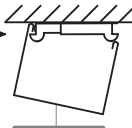
turn clockwise to lock bracket in position

4 **Push-Fit Bracket**

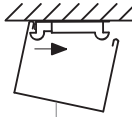
This bracket can fit anywhere along the blind. I would recommend fitting a bracket 5cm in from each end of the blind.



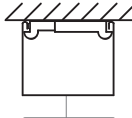
After the brackets have been installed, push the front edge of the blind against the front of the brackets (note - the brackets are spring loaded)



The brackets should compress and then allow the back of the blind to hook into the position shown



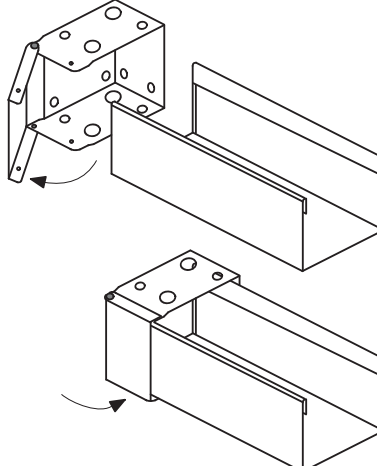
Follow the same procedure as above if the blind needs removing. Push the blind forwards against the spring and lower the back of the blind to release it



5 **Cage Bracket**

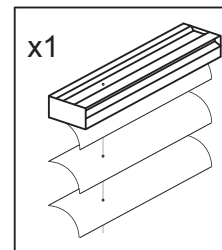
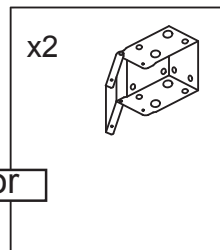
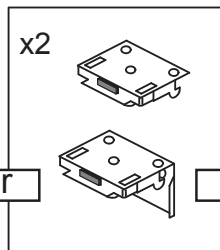
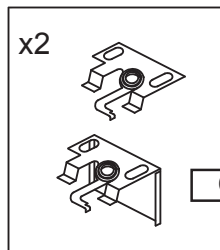
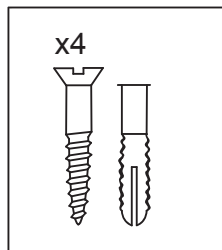
These brackets come in a pair, one for each end of the blind.

The brackets can be fitted using any of the holes.



In the box

Tools Suggested



screwdriver
drill (5mm)
pencil
tape measure
spirit level