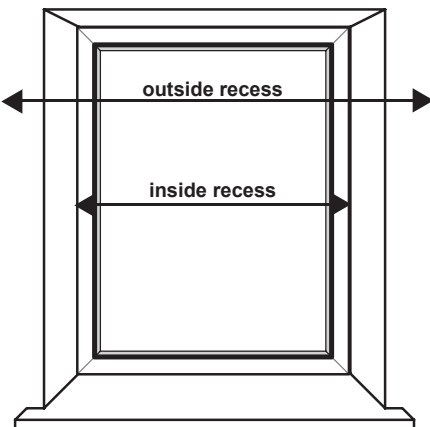


# How to fit roller blinds

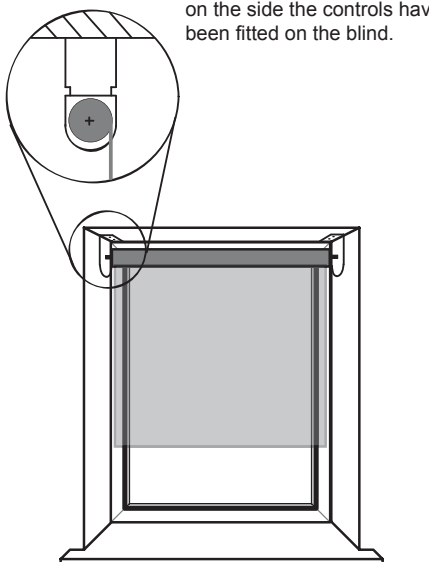
**1** Choose the way you brackets are to be fitted depending on whether you want to fit into the recess or face fix.

**outside the window** - follow face fix instructions

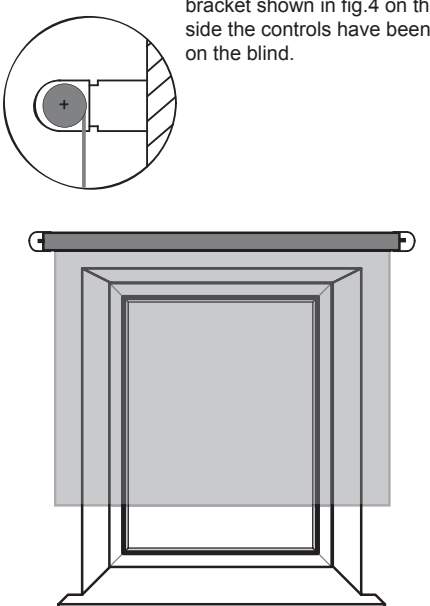
**recess size** - follow top fix or face fix instructions



**2 Top Fix**  
The brackets are universal and can be fitted to the lintel (under side of the recess) or to the window frame (similar to face fix). Fit the bracket shown in fig.4 on the side the controls have been fitted on the blind.



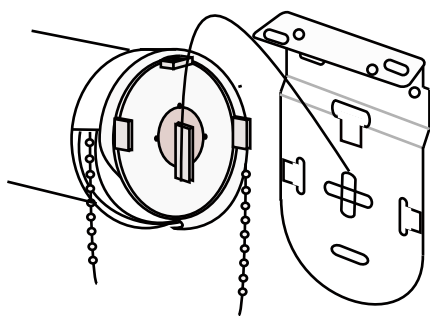
**3 Face Fix**  
The brackets are universal and can be fitted to the the wall face recess). Fit the bracket shown in fig.4 on the side the controls have been on the blind.



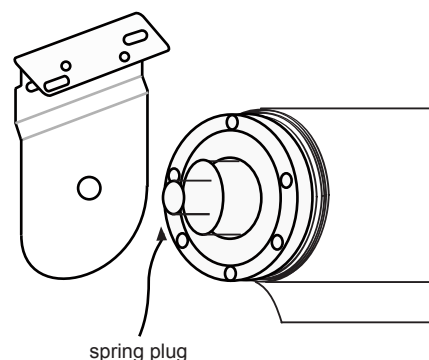
**4** The control end must be fitted first.

Make sure the 4 plugs on the end of the control align with the bracket.

Push the centre plug into the vertical part of the cross and push down to lock in place



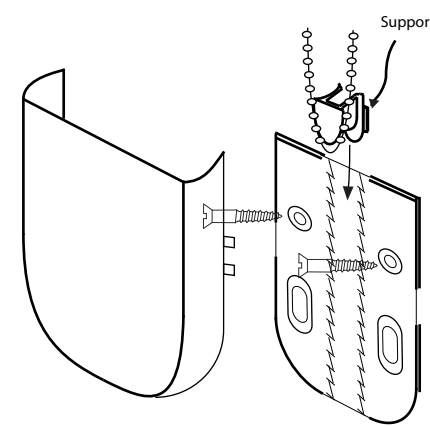
**5** Each end of the roller blind is different. One end is spring loaded as shown below. When the brackets have been installed, push the spring loaded end into the hole (in the shape of 'O'). The spring plug can push in by 1cm to give a better fit if needed.



spring plug

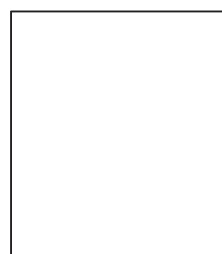
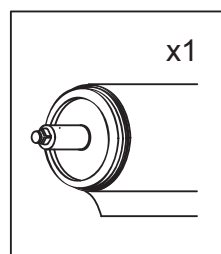
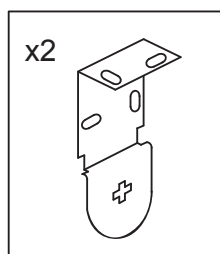
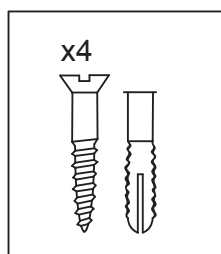
**6** Slide the support into the middle of the wall bracket and position the chain under the support. Place against the wall and mark the holes with a pencil. Support can be altered to better tension once fitted.

Clip on cover once fitted.



Support

## In the box



## Tools Suggested

- screwdriver
- drill (5mm)
- pencil
- tape measure
- spirit level