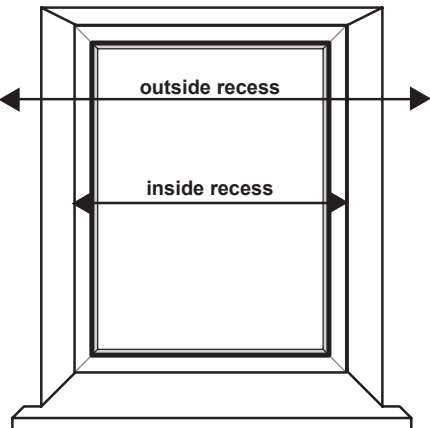


# How to fit wooden blinds

**1** During the ordering process, you will have selected either 'inside recess' or 'outside recess' measurement's.

**outside recess** - face fix brackets

**inside recess** - top fix or face fix brackets

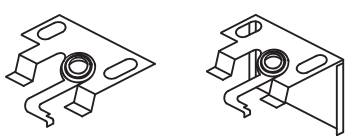


**2 Brackets**

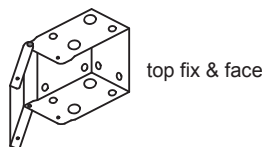
There are 2 different brackets available for wooden blinds, swivel brackets (available in top-fix and face-fix) and cage brackets.

Follow the instructions for the brackets that you received with your blinds.

**swivel bracket**  
top fix      top fix & face



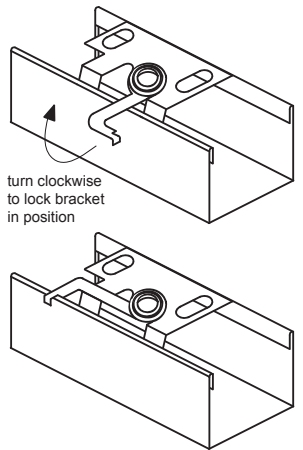
**cage bracket**  
top fix & face



**3 Swivel Bracket**

These brackets can fit anywhere along the blind.

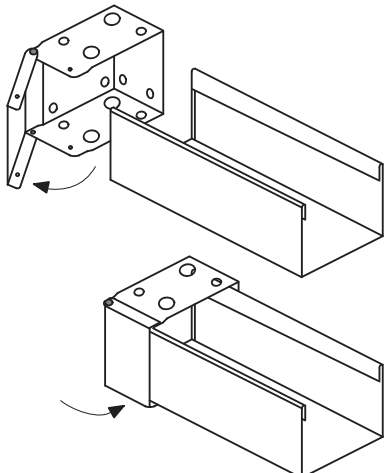
Slide the bracket in to the head rail and then swivel the bracket arm clockwise to lock the blind in position



**4 Cage Bracket**

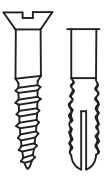
These brackets come in a pair, one for each end of the blind.

The brackets can be fitted using any of the holes.

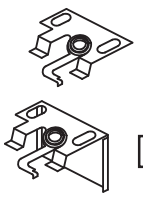


## In the box

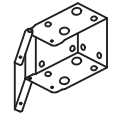
x4



x2

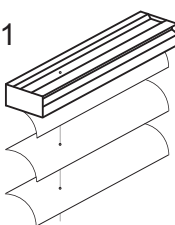


x2



or

x1




## Tools Suggested

screwdriver  
drill (5mm)  
pencil  
tape measure  
spirit level