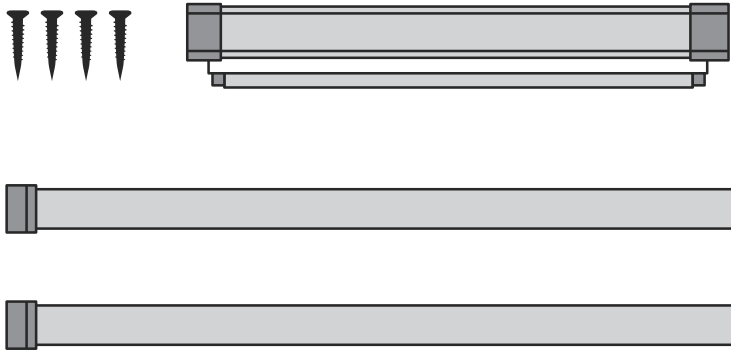
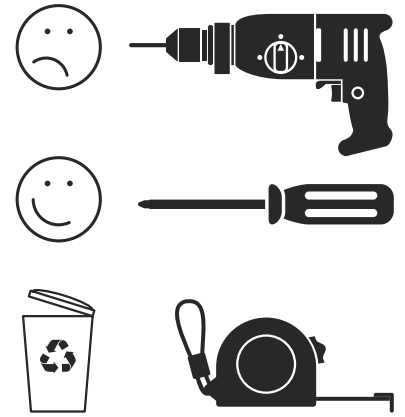


Fitting Instructions: Skylight Blinds

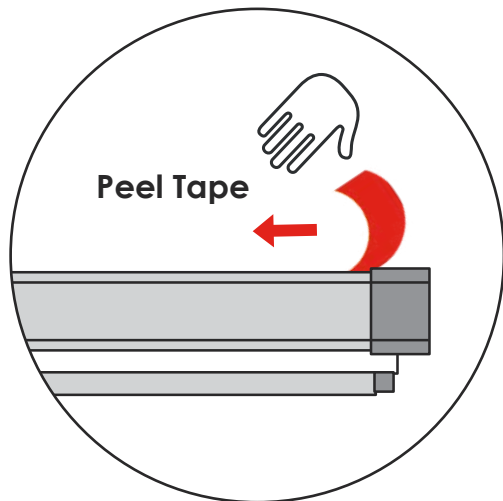
IN THE BOX



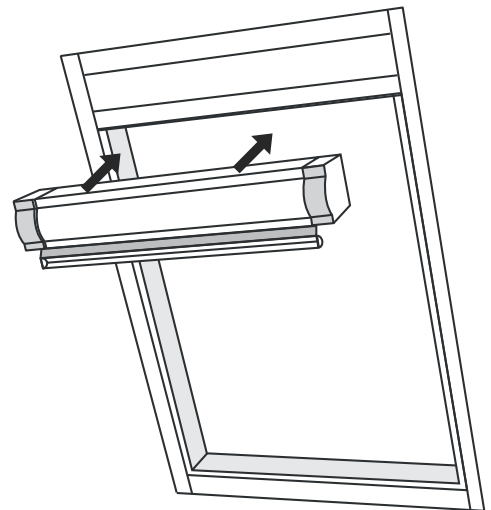
WHAT YOU'LL NEED



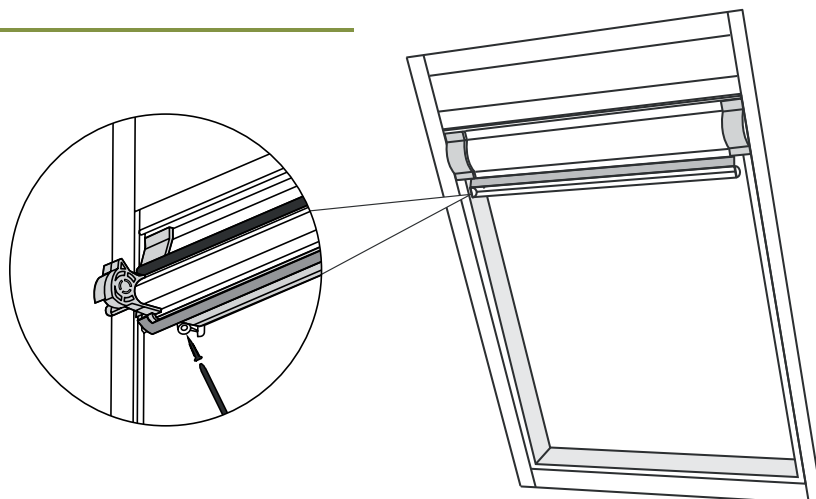
STEP 1



STEP 2

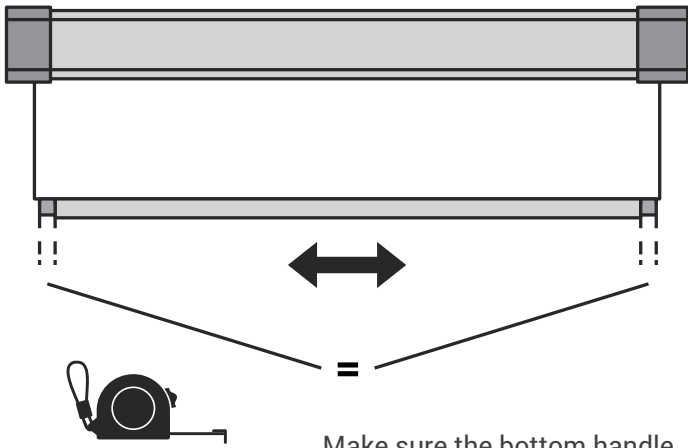


STEP 3



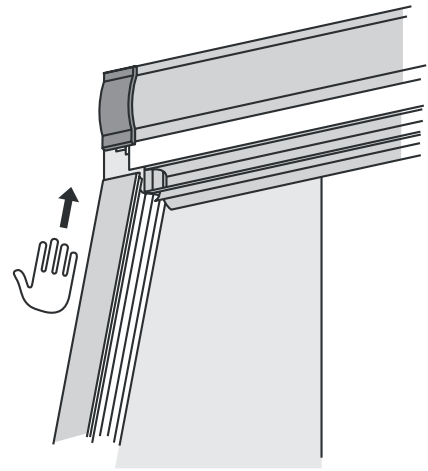
[Click here to shop skylight blinds](#)

STEP 4

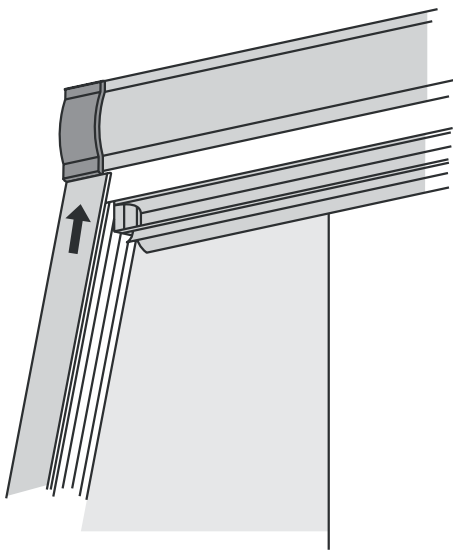


Make sure the bottom handle is central on the fabric. If it isn't, move it along with the hands.

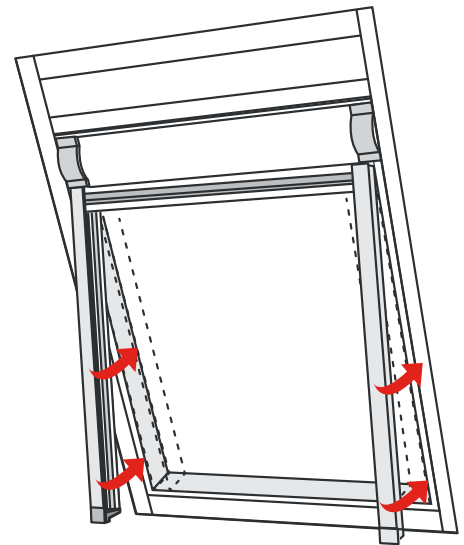
STEP 5



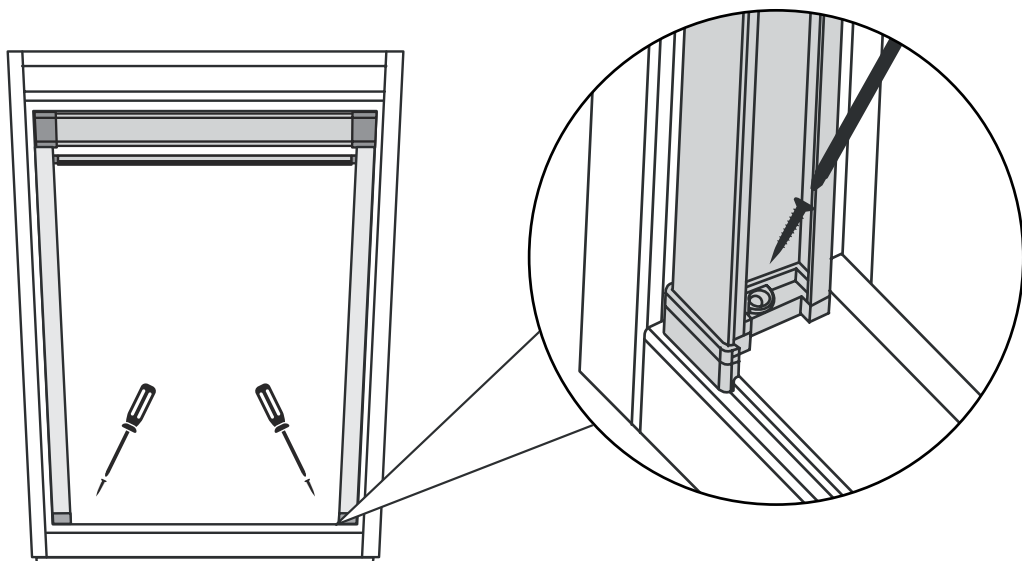
STEP 6



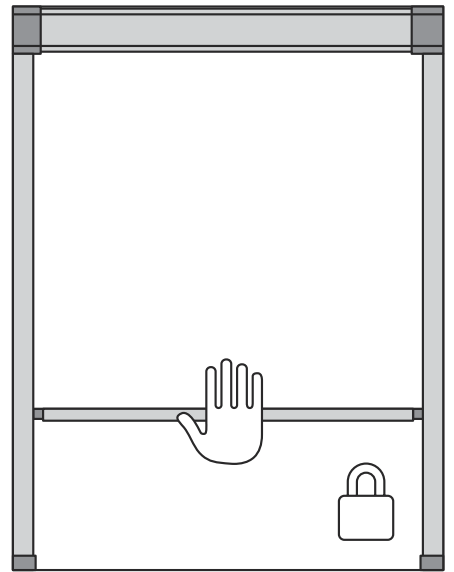
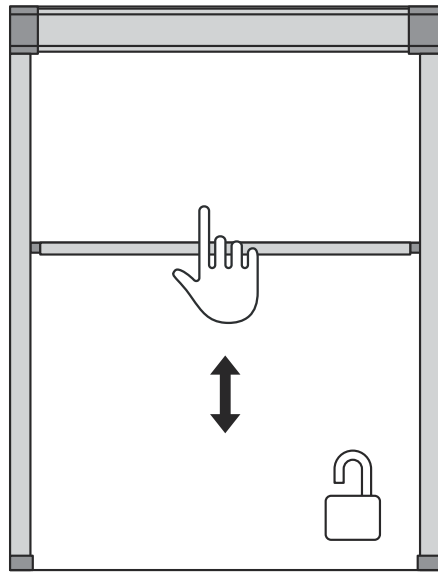
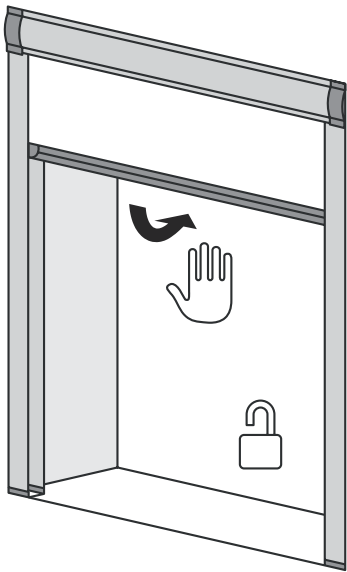
STEP 7



STEP 8



[Click here to shop skylight blinds](#)



[Click here to shop skylight blinds](#)