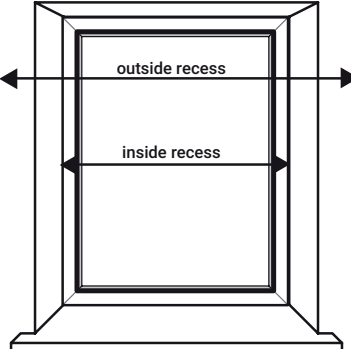


How to fit Vertical blinds

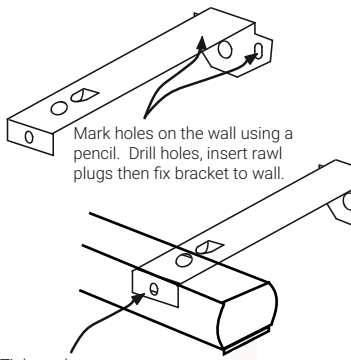
1 During the ordering process, you will have selected either 'recess size' or 'blind size' measurements.

blind size - follow face fix instructions

recess size - follow top fix instructions



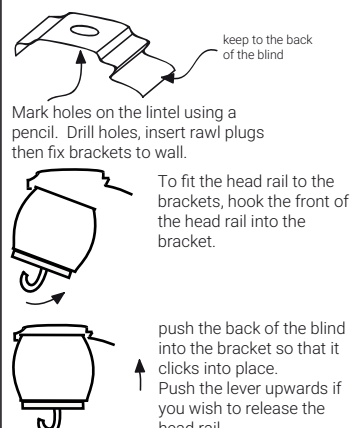
2 Face Fix
Each blind will be supplied with at least two brackets. Fit these brackets to the wall face approximately 5cm in from the ends of the blind. The head rail just screws in place.



Mark holes on the wall using a pencil. Drill holes, insert rawl plugs then fix bracket to wall.

Tighten the screw to secure the head rail in position

3 Top Fix
Each blind will be supplied with at least two brackets. Fit these brackets to the lintel approximately 5cm in from the ends of the blind. The head rail just clips in place.



keep to the back of the blind

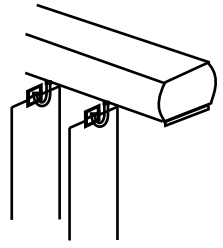
Mark holes on the lintel using a pencil. Drill holes, insert rawl plugs then fix brackets to wall.

To fit the head rail to the brackets, hook the front of the head rail into the bracket.

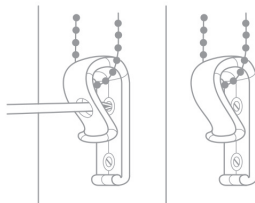
push the back of the blind into the bracket so that it clicks into place. Push the lever upwards if you wish to release the head rail.

4 Once the head rail is fitted, the fabric vanes can be fitted. Make sure the pegs are in the open position as shown below.

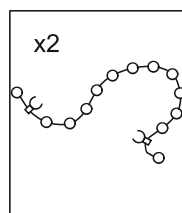
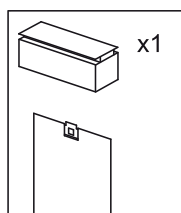
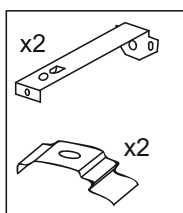
The slats will not rotate if they are fitted in the closed position (i.e. flat)



5 In the package you are sent a child safety tie down clip. Attach this to the wall or frame to secure the chain as shown below.



In the box



Tools suggested

screwdriver
drill (5mm)
pencil
tape measure
spirit level
screws
wall plugs

Your blind should come with a child safety device which must be screwed into the wall during the installation of the blind to prevent the cords/chains creating a loop. Failure to fit this device could result in strangulation.

[Click here to shop vertical blinds](#)