

## Victorian Conservatories

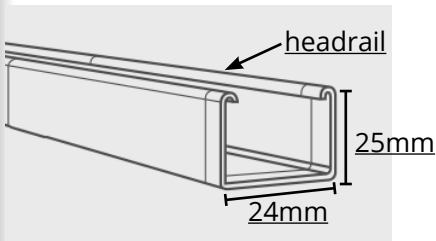


### **Tips**

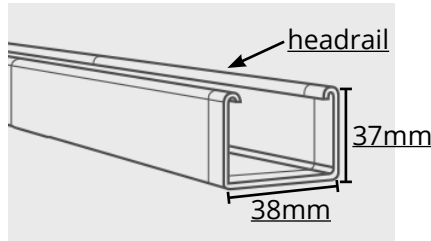
Use a metal tape measure to ensure accurate measurements

### Headrail Dimensions

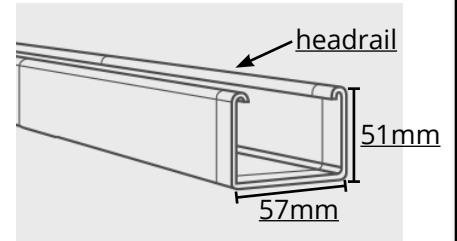
**25mm Slat**  
Depth 24mm | Height 25mm



**35mm Slat**  
Depth 38mm | Height 37mm



**50mm Slat**  
Depth 57mm | Height 51mm



### **Step 1: Choose the slat size**

When measuring for angled conservatories you need to allow for the head-rail and valance depth and window handles which affect the size of the blind when fitted.

There are 3 different slats sizes which will affect the sizes of the brackets and head-rail, 25mm/35mm/50mm.

Once you have chosen the slat size you can use the illustration above to determine the allowance which will be referred to as **X** for the next step.

### **Head rail Allowance:**

25mm slat size: **X = 24mm**

35mm slat size: **X = 38mm**

50mm slat size: **X = 57mm**

### Step 2

Find the handles allowance. If you have window handles, measure how far out they protrude. e.g. 5.5cm (55mm) in the image opposite. This will be referred to as **Y** for the next step.

example **Y = 55mm**

### Step 2

Calculate total allowance.

Add (**Y**) to the allowance for the head-rail and valance depth (**X**) that you noted down from the previous page to get **Z**.

Total allowance will be calculated using the following:

$$X + Y = Z$$

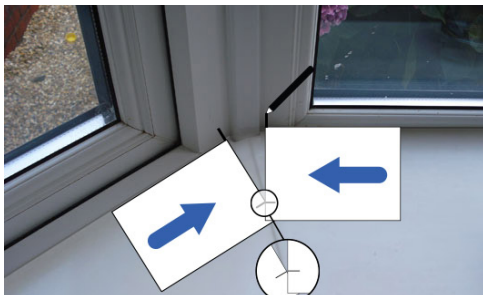
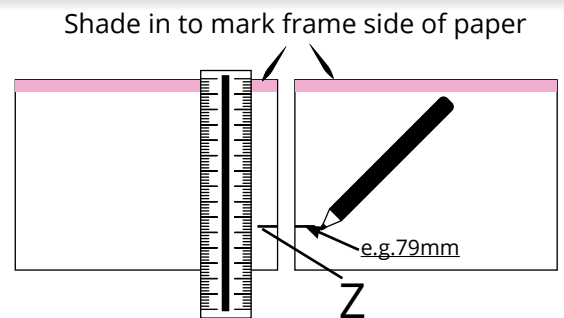


### Step 3

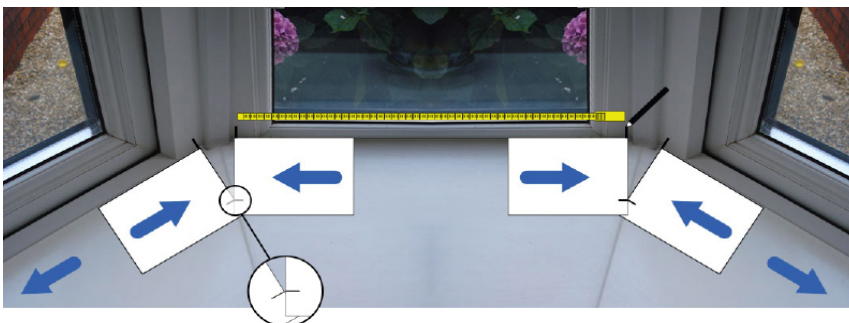
Take an A4 sheet of paper and cut in half. Place the two pieces of paper next to each other and mark a line at measurement **Z**.

e.g.  
**25mm slat size, window handles 55mm**

$$24\text{mm (x)} + 55\text{mm (Y)} = 79\text{mm (Z)}$$



- 1) Place the pieces of paper on the window sill touching the frame and slide together until the two lines meet.
- 2) Then using a pencil make a mark on the window sill at the point where the corner of the fabric meets the frame.
- 3) Repeat on the other angles around the conservatory.



Measure the distance between the two pencil marks on each window around the bay as shown on the illustration. This will give you the widths the blinds will need to be.

Order all blinds as **EXACT SIZE**

### Drop

Measure from where the top of the bracket is to be fitted to the window sill. Check the drop all around the conservatory as it will often differ.

Order all blinds as **EXACT SIZE.**